



Opto Devices

LEDs

CONTENTS

■ SMD LEDs	P. E2
Quick Reference of Brightness	P. E2
Characteristics	P. E5
Part No. Configuration	P. E9
Dimensions	P. E10
■ Through-hole LEDs	P. E12
Quick Reference of Brightness	P. E12
Characteristics	P. E14
Part No. Configuration	P. E15
Viewing Angle	P. E16
Dimensions	P. E16

ISO/TS 16949-approved

Opto Devices
LEDs

▶ SMD LEDs

SMD LEDs

ROHM's chip LEDs are designed for automatic surface mount processes and are available in a wide variety of package sizes (from 1.0×0.6mm)

Red(V,U) Quick Reference of Brightness

Package Structure	Package Size (mm)	Height (mm)	Luminous Intensity (cd)	I _f (mA)	1.0 to 1.6	1.6 to 2.5	2.5 to 4.0	4.0 to 6.3	6.3 to 10	10 to 16	16 to 25	25 to 40	40 to 63	63 to 100	100 to 160	160 to 250	250 to 400	400 to 630	630 to 1000	1000 to 1600	1600 to 2500	2500 to 3120							
					Ir(mA)																								
Mini-mold	1006	0.2	20	SML-P11VT(R)					SML-P11UT(R)					☆SML-P15UT(A)*															
				SML-P12VT(R)					SML-P12UT(R)					SML-P12U2T(R)															
				SML-E12V8W					SML-E12U8W					*SML-E12UW															
		SML-D15VW					SML-D14VW(A)*					SML-D13VW(A)*																	
		SML-D12V1W					SML-D12V8W																						
	1608	0.36	20																										
														SML-D15UW					SML-D15U2W										
														SML-D14U2W(A)*					SML-D13UW(A)*										
												SML-D13U8W					SML-D12U1W					SML-D12U8W							
							SML-H12V8T					SML-H12U8T					SML-M13VT					SML-M13UT							
	20125	0.8	20																										
														SML-Z14V4T*					SML-Z14U4T*										
	Reflector	20125	0.8	20																									
	PLCC2	3528	1.9	20																									
															SML-Z14VT(A)*					SML-Z14UT(A)*									
Side View (mold)	16115	0.55	20											SML-A12V8T					SML-A12U8T										
Reverse Mount	34125	1.1	10																*SML-A12UT(J)										
									SML-811VT(A)*					SML-811UT(A)*															
Lens	1608	1.06	20																☆CSL1001VT										
		1.24																	☆CSL0901VT										
		1.85																	☆CSL0901UT										
3216	1.85	20																☆CSL0902VT											
																		☆CSL0902UT											
																				SML-S13VT									
																									SML-S13UT				

Package Structure	Package Size (mm)	Height (mm)	Luminous Intensity (cd)	I _f (mA)	6 to 7	7 to 8	8 to 9	9 to 10	10 to 12	12 to 14	14 to 16	16 to 18	18 to 20	20 to 22	22 to 25
Lens	2924	3.1	20	CSL0701UT											

Orange(D) Quick Reference of Brightness

Package Structure	Package Size (mm)	Height (mm)	Luminous Intensity (cd)	I _f (mA)	1.0 to 1.6	1.6 to 2.5	2.5 to 4.0	4.0 to 6.3	6.3 to 10	10 to 16	16 to 25	25 to 40	40 to 63	63 to 100	100 to 160	160 to 250	250 to 400	400~630	630 to 1000	1000 to 1600	1600 to 2800						
					Ir(mA)																						
Mini-mold	1006	0.2	20	SML-P11DT(R)					☆SML-P15DT(A)*					SML-P12DT(R)													
														*SML-E12DW					SML-E12D8W								
																			SML-D15DW								
												SML-D14DW(A)*					SML-D13DW(A)*					SML-D12D8W					
												SML-D12D1W					SML-H12D8T					SML-M13DT					
	1608	0.36	20																								
														SML-A12D8T					SML-A12DT(J)								
														SML-811DT(A)*													
																	☆CSL0901DT					☆CSL0902DT					
																						SML-S13DT					
	20125	0.8	20																								
														SML-Z14DT(A)*					SML-Z14D4T*								
	Reflector	20125	0.8	20																							
	PLCC2	3528	1.9	20																							
															SML-Z14DT(A)*					SML-Z14D4T*							
Side View (mold)	16115	0.55	20											SML-A12D8T					SML-A12DT(J)								
Reverse Mount	34125	1.1	10																								
									SML-811DT(A)*										☆CSL0901DT								
Lens	1608	1.24	20																☆CSL0902DT								
		1.85																	SML-S13DT								
																						CSL0701DT					

*:Please note that the brightness of some products may fall between ranks (half rank).

※:Brightness on specification sheet include tolerance of within ±10%. Note: Please be sure to refer the specifications about the rank.

☆:Under Development

E2

www.rohm.com

Yellow(Y,W) Quick Reference of Brightness

Package Structure	Package Size (mm)	Height (mm)	Luminous Intensity (mcd)	1.0 to 1.6	1.6 to 2.5	2.5 to 4.0	4.0 to 6.3	6.3 to 10	10 to 16	16 to 25	25 to 40	40 to 63	63 to 100	100 to 160	160 to 250	250 to 400	400 to 630	630 to 1000	1000 to 1600	1600 to 2500				
Mini-mold	1006	0.2	1					SML-P11YT(R)							SML-P12YT(R)									
			20													SML-P12Y2T(R)	SML-P12Y3T(R)							
	1608	0.36	20																					
			2			SML-D11YW																	SML-D15YW	
	1608	0.55	20				SML-D12W8W(A)*																	
	20125	0.8	20																					
	Reflector	20125	0.8	20																				
PLCC2	3528	1.9	50																					
			20																					
Side View (mold)	16115	0.55	20																					
Reverse Mount	34125	1.1	10																					
Lens	1608	1.24	20																					
	3216	1.85	20																					

Yellow Green(M), Green(P,F) Quick Reference of Brightness

Package Structure	Package Size (mm)	Height (mm)	Luminous Intensity (mcd)	0.63 to 1.0	1.0 to 1.6	1.6 to 2.5	2.5 to 4.0	4.0 to 6.3	6.3 to 10	10 to 16	16 to 25	25 to 40	40 to 63	63 to 100	100 to 160	160 to 250	250 to 400	400 to 630	630 to 1000	1000 to 1800	1800 to 2500			
Mini-mold	1006	0.2	1																					
			20																					
	1608	0.36	20																					
			2																					
	1608	0.55	20																					
	20125	0.8	20																					
	Reflector	20125	0.8	20																				
PLCC2	3528	1.9	50																					
			20																					
Side View (mold)	16115	0.55	20																					
Reverse Mount	34125	1.1	20																					
Lens	1608	1.24	20																					
	3216	1.85	20																					

Green(E)/Blue Green(E2,E3) Quick Reference of Brightness

Package Structure	Package Size (mm)	Height (mm)	Luminous Intensity (mcd)	9.0 to 14	14 to 22	22 to 36	36 to 56	56 to 90	90 to 140	140 to 220	220 to 360	360 to 560	560 to 900	900 to 1400	1400 to 2200	2200 to 3600	3600 to 5600
Mini-mold	1006	0.2	5														
			36														
	1608	0.55	5														
			106														
Reflector	20125	0.8	5														
PLCC2	3528	1.9	20														
Side View (mold)	16115	0.55	5														
Lens	1608	1.24	20														

*:Please note that the brightness of some products may fall between ranks (half rank).

**:Brightness on specification sheet include tolerance of within ±10%. Note: Please be sure to refer the specifications about the rank.

☆:Under Development

SMD LEDs

Blue(B) Quick Reference of Brightness

Package Structure	Package Size (mm)	Height (mm)	I _f (mA)	Luminous Intensity (mcd)	0.9 to 1.4	1.4 to 2.2	2.2 to 3.6	3.6 to 5.6	5.6 to 9.0	9 to 14	14 to 22	22 to 36	36 to 56	56 to 90	90 to 140	140 to 220	220 to 360	360 to 560	560 to 900	900 to 1400	
Mini-mold	1006	0.2	5																		
	1608	0.36	20																		
		0.55	5																		
Reflector	20125	0.8	5																		
PLCC2	3528	1.9	20																		
Side View (mold)	16115	0.55	5																		
Reverse Mount	34125	1.1	20																		
Lens	3216	1.85	20																		
	1608	1.24	5																		
			20																		

White(WB) Quick Reference of Brightness

Package Structure	Package Size (mm)	Height (mm)	I _f (mA)	Luminous Intensity (mcd)	9 to 14	14 to 22	22 to 36	36 to 56	56 to 90	90 to 140	140 to 220	220 to 360	360 to 560	560 to 900	900 to 1100	1100 to 1400	1400 to 1800	1800 to 2200	2200 to 2800	2800 to 3600	3600 to 7000	7000 to 8500
Mini-mold	1006	0.2	5																			
	1608	0.36	5																			
		0.55	5																			
Side View (Reflector)	16115	0.55	5																			
Reverse Mount	2812	0.8	20																			
Reflector	34125	1.1	5																			
	20125	0.8	5																			
	3528	1.9	20																			

Package Structure	Package Size (mm)	Height (mm)	I _f (mA)	Luminous Intensity (mcd)	2.2 to 2.8	2.8 to 3.3	3.3 to 4.0	4.0 to 4.8	4.8 to 5.8	5.8 to 7.0	7.0 to 8.5	8.5 to 10.2	10.2 to 12.3	12.3 to 14.8	14.8 to 19	19 to 21.8	21.8 to 24.5	24.5 to 27.2	27.2 to 29.3	29.3 to 32.6	32.6 to 35.4	
Reflector	4520	0.6	90																			

2 Colors Quick Reference of Brightness

Package Structure	Package Size (mm)	Height (mm)	I _f (mA)	Luminous Intensity (mcd)	Emitting Color	4.0 to 6.3	6.3 to 10	10 to 16	16 to 25	25 to 40	40 to 63	63 to 100	100 to 160
Mini-mold	1010	0.2	20		Red								
					Yellow Green								
	1315	0.6	20		Red								
					Blue								
					Red								
					Yellow Green								
					Red								
					Yellow Green								
					Orange								
					Yellow Green								
					Yellow Green								
					Yellow								
Reverse Mount	34125	1.1	20		Yellow Green								
					Red								
					Yellow								
					Red								

3 Colors Quick Reference of Brightness

Package Structure	Package Size (mm)	Height (mm)	I _f (mA)	Luminous Intensity (mcd)	Emitting Color	5.6 to 9.0	9.0 to 14	14 to 22	22 to 36	36 to 56	56 to 90	90 to 140	140 to 220	220 to 360	360 to 560	560 to 900	900 to 1400	1400 to 1800	
Mini-mold	1010	0.2	5		Red														
					Green														
	1510	0.2	5		Blue														
					Red														
Reflector	1816	0.5	20		Red														
					Green														
					Blue														
					Red														
					Green														
					Blue														
					Red														
					Green														
	3528	0.6	20			Red													
						Green													
						Blue													
						Red													
						Green													
						Blue													
						Red													
						Green													
Side View (Reflector)	6922	2.15	20		Red														
					Green														
					Blue														
	2910	1.35	20			Red													
						Green													
						Blue													


*:Please note that the brightness of some products may fall between ranks (half rank).

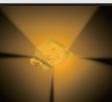
** :Brightness on specification sheet include tolerance of within ±10%. Note: Please be sure to refer the specifications about the rank.

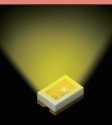
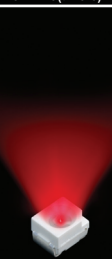
☆:Under Development

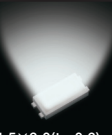


SMD LEDs

(Mold type(1608))																											
Package (mm)	Part No.	Emitting Color	Absolute Maximum Ratings(Ta=25°C)					Electrical and Optical Characteristics(Ta=25°C)					Automotive Grade AEC-Q101														
			Power Dissipation P _o (mW)	Forward Current I _F (mA)	Peak Forward Current I _{FP} (mA)	Reverse Voltage V _R (V)	Operating Temperature Topr (°C)	Storage Temperature Tstg (°C)	Forward Voltage V _F		Reverse Current I _R			Dominant Wavelength λ _d		Luminous Intensity I _v											
	☆CSL0901VT	Red	50	20	100*2	12	-40 to +100	-40 to +100	2.0	20	10	12	630	(112)	174	(YES)											
	☆CSL0901UT												620		140		300										
	☆CSL0901DT	Orange											605	(224)	400												
	☆CSL0901YT												590	320	20												
	☆CSL0901WT	Yellow											587	(180)	300												
	☆CSL0901MT												572	(56)	100												
	☆CSL0901PT	Yellow Green											560	(18)	30												
	☆CSL0901ET												Green	70	100		5	(527)	(220)	(360)	5						
	☆CSL0901BT	Blue												34	10		50	5	-40 to +85	2.9	5	5	(470)	(36)	(56)	5	
	☆CSL0902VT												Red	84	35		100	12	-40 to +100	-40 to +100	2.1	20	10	12	630	(140)	250
	☆CSL0902UT	620																							(180)		(350)
	☆CSL0902DT	Orange											605												(500)	500	
	☆CSL0902YT												590												(224)	(500)	20
	☆CSL0902WT	Yellow											587												(71)	(140)	
☆CSL0902MT	Yellow Green		572	(28)	(45)																						
☆CSL0902PT		Green	95	25	5	-40 to +85	3.4	5	5	(560)	(710)	(1,100)															
☆CSL0902ET	Blue		34	10	50	5	-40 to +85	3.3	5	5	(527)	(220)	(360)														
☆CSL0902BT																											

(Mold type(20125))																	
Package (mm)	Part No.	Emitting Color	Absolute Maximum Ratings(Ta=25°C)					Electrical and Optical Characteristics(Ta=25°C)					Automotive Grade AEC-Q101				
			Power Dissipation P _o (mW)	Forward Current I _F (mA)	Peak Forward Current I _{FP} (mA)	Reverse Voltage V _R (V)	Operating Temperature Topr (°C)	Storage Temperature Tstg (°C)	Forward Voltage V _F		Reverse Current I _R			Dominant Wavelength λ _d /Chromaticity Coordinates(x,y)		Luminous Intensity I _v	
	SML-H12V8T	Red	54	20	100*2	5	-40 to +85	-40 to +100	2.2	20	10	5	630	20	16	25	YES
	SML-H12U8T												620		25	40	
	SML-H12D8T	Orange											605	40	63	20	
	SML-H12Y8T												590	10	25		
	SML-H12M8T	Yellow Green											572	10	25		
	SML-H12P8T												560	3	4		

(Reflector type)																											
Package (mm)	Part No.	Emitting Color	Absolute Maximum Ratings(Ta=25°C)					Electrical and Optical Characteristics(Ta=25°C)					Automotive Grade AEC-Q101														
			Power Dissipation P _o (mW)	Forward Current I _F (mA)	Peak Forward Current I _{FP} (mA)	Reverse Voltage V _R (V)	Operating Temperature Topr (°C)	Storage Temperature Tstg (°C)	Forward Voltage V _F		Reverse Current I _R			Dominant Wavelength λ _d /Chromaticity Coordinates(x,y)		Luminous Intensity I _v											
	SML-M13VT	Red	75	30	100*2	5	-40 to +85	-40 to +100	2.0	20	10	5	630	20	40	75	—										
	SML-M13UT												620		63	120											
	SML-M13DT	Orange											605	100	160	20											
	SML-M13YT												590	25	45												
	SML-M13MT	Yellow Green											572	6	16												
	SML-M13PT												560	56	140												
	SMLMN2ECT(C)	Green											70	20	12	-40 to +100		3.0	5	12	5	(x,y)(0.30,0.28)	56	140	5	YES	
	SMLMN2BCT(C)												470	14	36												
	SMLMN2WB1CW(C)	White											68	20	12	-40 to +100		2.9	5	12	5	(x,y)(0.30,0.28)	56	140			
		SML-Z14V4T											Red	189	50	100*2		12	-40 to +100	-40 to +100	2.0	50	10	12	630	50	140
SML-Z14U4T		620	280	560																							
SML-Z14D4T		Orange	605	355	710	50																					
SML-Z14Y4T			590	112	224																						
SML-Z14M4T		Yellow Green	572	56	120																						
SML-Z14F4T			565	22	56																						
SML-Z14P4T		Green	561	56	112																						
SML-Z14VT(A)			Red	70	200*2	5	-40 to +100	1.9	10	12	20	5	5				5								20	20	YES
SML-Z14UT(A)		630		56	112																						
SML-Z14DT(A)		Orange	620	112	224																						
SML-Z14YT(A)			605	140	280																						
SML-Z14MT(A)		Yellow Green	589	45	90																						
SML-Z14FT(A)			571	22	45																						
SML-Z14PT(A)		Green	564	11	22																						
SMLZ14EGT(A)			560	710	1,100																						
SMLZ14BGT(A)		Blue	120	30	5	-40 to +85	3.4	5	5	5	528	710	1,100														
SMLZ14BGT(A)			470	140	280																						
SMLZ4WBGUW(A)		White	114	30	5	-40 to +85	3.3	5	5	5	(x,y)(0.30,0.28)	1,800	2,400														

(Reflector(High Power)type)																				
Package (mm)	Part No.	Emitting Color	Absolute Maximum Ratings(Ta=25°C)					Electrical and Optical Characteristics(Ta=25°C)					Automotive Grade AEC-Q101							
			Power Dissipation P _o (mW)	Forward Current I _F (mA)	Peak Forward Current I _{FP} (mA)	Reverse Voltage V _R (V)	Operating Temperature Topr (°C)	Storage Temperature Tstg (°C)	Forward Voltage V _F		Reverse Current I _R			Chromaticity Coordinates		Luminous Intensity I _v		Luminous Flux Φ _v		
	SMLK18WBJCW	White	675	150	230*5	5	-40 to +100	-40 to +100	3.9	90	10	5	(0.30, 0.28)	90	4,800	6,000	90	22	90	—
	SMLK18WBJDW												(0.34, 0.34)							
	SMLK28WBJCW												(0.30, 0.28)		5,900	21				

*1:Duty1/5, 200Hz *2:Duty1/10, 1kHz *3:Duty≤1/20, 1ms *4:Duty≤1/5, 1kHz *5:Duty1/10, pulse width 10ms Max.
 *:Brightness for white color is noted with chromaticity coordinate (x, y).
 Note1: Automotive Grade product : Addition(C)
 Note2: *PICOLED™ is a pending trademarks of ROHM Co., Ltd. (YES) : Planning () : Reference ☆ : Under Development

E
LEDs

(Side View type)																			
Package (mm)	Part No.	Emitting Color	Absolute Maximum Ratings(Ta=25°C)					Electrical and Optical Characteristics(Ta=25°C)							Automotive Grade AEC-Q101				
			Power Dissipation Pd (mW)	Forward Current If (mA)	Peak Forward Current Ifp (mA)	Reverse Voltage Vr (V)	Operating Temperature Topr (°C)	Storage Temperature Tstg (°C)	Forward Voltage Vf (V)	Reverse Current Ir (mA)	Max. Reverse Current Irs (μA)	Vr (V)	Dominant Wavelength λd / Chromaticity Coordinates(x,y)	Luminous Intensity Iv					
												Typ.* (nm)	Ir (mA)	Min. (mcd)	Typ. (mcd)	Ir (mA)			
 1.6×1.15(t=0.55)	SML-A12V8T	Red	54	20			-40 to +85		2.2			630	20	16	40				
	SML-A12U8T	Orange										620		25	63				
	SML-A12D8T	Yellow										605		40	100				
	SML-A12Y8T	Yellow Green										590		25	63				
	SML-A12M8T	Green	75	30	100*2	5		-40 to +100	2.0		10	5	572	20	10	25	20		
	SML-A12P8T	Red											560		3	6			
	SML-A12UT(J)	Orange	65										624		36	100			
	SML-A12DT(J)	Yellow											606		36	63			
	SML-A12WT(J)	Yellow Green	75	25				-30 to +85	2.1				590		14	40			
	SML-A12MT(J)	Green	87	35				-40 to +100	3.0				570		180				
	SML-A15YT	Yellow	68	20					3.0	5	100		527		56				
	SMLA12EC6T	Green	66	20				-40 to +85	2.9	5	10		470	5	22	36	5		
	SMLA13BC8T	Blue	33	10	50*2								(x,y)(0.30,0.30)		56				
	SMLA12WBC7W	White																	
 2.8×1.2(t=0.8)	CSL0406WBCW	White	117	30	100*2	5	-40 to +85	-40 to +100	(3.2)	20	50	5	(x,y)(0.30,0.28)	20	1,400	2,200	20	—	
(Reverse Mount type)																			
Package (mm)	Part No.	Emitting Color	Absolute Maximum Ratings(Ta=25°C)					Electrical and Optical Characteristics(Ta=25°C)							Automotive Grade AEC-Q101				
			Power Dissipation Pd (mW)	Forward Current If (mA)	Peak Forward Current Ifp (mA)	Reverse Voltage Vr (V)	Operating Temperature Topr (°C)	Storage Temperature Tstg (°C)	Forward Voltage Vf (V)	Reverse Current Ir (mA)	Max. Reverse Current Irs (μA)	Vr (V)	Dominant Wavelength λd / Chromaticity Coordinates(x,y)	Luminous Intensity Iv					
												Typ.* (nm)	Ir (mA)	Min. (mcd)	Typ. (mcd)	Ir (mA)			
 Mold type 3.4×1.25(t=1.1)	SML-811VT(A)	Red	62	25	100*2	5	-40 to +85	-40 to +100	2.0	10		5	630	10	11	22	10	YES	
	SML-811UT(A)	Orange											620						
	SML-811DT(A)	Yellow											605						
	SML-811WT(A)	Yellow Green	590	14	28														
	SML-812MT	Green	65		60*1	4		-30 to +85	-40 to +85	2.1	20		4	571	20	40	20	—	
	SML812BCT	Blue	80	20	100*2	5				3.3			5	470	20	56			
SML813WBC8W	White	33	10	50*2			-40 to +85	-40 to +100	(2.9)	5	10		(x,y)(0.30,0.30)	5	22	45	5		
 Surface mount Circular type 3.4×1.6(t=1.85)	SML-S13VT	Red	75						1.9				630		160	450			
	SML-S13UT	Orange											620		400	700			
	SML-S13DT	Yellow											605		630	1,400			
	SML-S13YT	Yellow Green	590	20				-40 to +85	-40 to +100	2.0	20	10	5	572	20	160	400	20	—
	SML-S13MT	Green	78	30	100*2	5				2.0				560		63	160		
	SML-S13PT	Blue	117							3.3				527		1,800	3,000		
SMLS14EET	Green								3.2				470		560	800			
SMLS14BET	Blue																		
 2 colors type 3.4×1.25(t=1.1)	SML-822MV8W	Yellow Green	54	20					2.2				572		16	25			
	SML-822MV8W	Red			100*2	5	-40 to +85	-40 to +100	2.2	20	100	5	630	20	30	20	—		
	SML-825MVW	Yellow Green	80	30					2.1				572		40	63			
SML-825MVW	Red							2.0				630							
(Surface Mount Lens type)																			
Package (mm)	Part No.	Emitting Color	Absolute Maximum Ratings(Ta=25°C)					Electrical and Optical Characteristics(Ta=25°C)							Automotive Grade AEC-Q101				
			Power Dissipation Pd (mW)	Forward Current If (mA)	Peak Forward Current Ifp (mA)	Reverse Voltage Vr (V)	Operating Temperature Topr (°C)	Storage Temperature Tstg (°C)	Forward Voltage Vf (V)	Reverse Current Ir (mA)	Max. Reverse Current Irs (μA)	Vr (V)	Dominant Wavelength λd	Luminous Intensity Iv					
												Typ.* (nm)	Ir (mA)	Min. (mcd)	Typ. (mcd)	Ir (mA)			
 1.6×0.8(t=1.24)	☆CSL0901VT	Red	50	20	100*2	12	-40 to +100		2.0	20		12	630	20	(112)	174			
	☆CSL0901UT	Orange											620		140	300			
	☆CSL0901DT	Yellow											605		(224)	400			
	☆CSL0901YT	Yellow Green											590		(180)	320			20
	☆CSL0901WT	Green											587		300				
	☆CSL0901MT	Green											572		56	100			
	☆CSL0901PT	Green	70										560		(18)	30			
	☆CSL0901ET	Blue	34	10	50	5	-40 to +85	-40 to +100	2.9	5	10	5	(527)	5	(220)	(360)	5	(YES)	
	☆CSL0901BT	Blue											(470)		(36)	(56)			
	☆CSL0902VT	Red	84	35	100*2	12	-40 to +100		2.0			12	(630)	20	(140)	(250)			
	☆CSL0902UT	Orange											(620)		(180)	(350)			
	☆CSL0902DT	Yellow											(605)		(224)	(500)			
	☆CSL0902YT	Yellow Green											(590)		(224)	(400)			20
	☆CSL0902WT	Green											(587)		(400)				
☆CSL0902MT	Green											(572)		(71)	(140)				
☆CSL0902PT	Green											(560)		(28)	(45)				
☆CSL0902ET	Blue	95	25			-40 to +85		3.4			5	(527)		(710)	(1,100)				
☆CSL0902BT	Blue											(470)		(220)	(360)				
 Reverse mount available 3.2×1.6(t=1.85)	SML-S13VT	Red	75						1.9				630		160	450			
	SML-S13UT	Orange											620		400	700			
	SML-S13DT	Yellow											605		630	1,400			
	SML-S13YT	Yellow Green	590	20				-40 to +85	-40 to +100	2.0	20	10	5	572	20	160	400	20	—
	SML-S13MT	Green	78	30	100*2	5				2.0				560		63	160		
	SML-S13PT	Blue	117							3.3				527		1,800	3,000		
SMLS14EET	Green								3.2				470		560	800			
 2.9×2.4(t=3.1)	CSL0701UT	Red	120	50	150*2	5	-40 to +85	-40 to +100	2.1	20	10	5	624	20	9,000	18,000	20	—	
	CSL0701DT	Orange											605		20,000	35,000			

*1:Duty1/5, 200Hz *2:Duty1/10, 1kHz *3:Duty≤1/20, 1ms *4:Duty≤1/5, 1kHz *5:Duty1/10, pulse width 10ms Max.
*:Brightness for white color is noted with chromaticity coordinate (x, y).
Note: Automotive Grade product : Addition(C) (YES)---Planning

():Reference ☆: Under Development

SMD LEDs

〈2 Colors type〉																		
Package (mm)	Part No.	Emitting Color	Absolute Maximum Ratings(Ta=25°C)						Electrical and Optical Characteristics(Ta=25°C)									Automotive Grade AEC-Q101
			Power Dissipation P _D (mW)	Forward Current I _F (mA)	Peak Forward Current I _{FP} (mA)	Reverse Voltage V _R (V)	Operating Temperature Topr (°C)	Storage Temperature Tstg (°C)	Forward Voltage V _F (V)	I _F (mA)	Max. I _R (μA)	V _R (V)	Dominant Wavelength λ _D (nm)		Luminous Intensity I _v (mcd)			
	SML-P24MUW(R)	Yellow Green	54	20	100*2	5	-40 to +85	-40 to +100	2.2	20	10	5	572		10	21	20	—
		Red	52						2.1				620		25	52		
	SML522BU1W	Blue	66	60*2	5	-40 to +85	-40 to +100	2.9	5	10	5	470		9	22	5	—	
		Red	50					1.9				624		14	21			
	SML-522MUW	Yellow Green	52	20	4	-30 to +85	-40 to +85	2.1	20	100	4	570		14	40	20	—	
		Red	50					1.9				360		22	63			
	SML-522MU8W	Yellow Green		54	100*2	-40 to +85	-40 to +100	2.2	20	100	4	572		16	40	20	—	
		Red						2.0				620		25	63			
SML-522MD8W	Yellow Green		54	100*2	-40 to +85	-40 to +100	2.2	20	100	4	572		10	25	20	—		
	Orange						2.0				605		40	100				
SML-522MY8W	Yellow Green		54	100*2	-40 to +85	-40 to +100	2.2	20	100	4	572		16	40	20	—		
	Yellow						2.0				590		40	63				
	SML-822MV8W	Yellow Green	54	20	100*2	5	-40 to +85	-40 to +100	2.2	20	100	5	572		16	25	20	—
		Red						2.1	630				30	30				
SML-825MVW	Yellow Green	80	30	100*2	5	-40 to +85	-40 to +100	2.1	20	100	5	572		40	63	20	—	
	Red						2.0	630				40	63					
	☆SML-D22MUW	Yellow Green	67	25	100*2	5	-40 to +105	-40 to +110	2.0	5	10	5	570		6	10	5	—
		Red	65						1.9				620		10	16		
	☆SML-D22YVW	Yellow Green	67	25	100*2	5	-40 to +105	-40 to +110	2.0	5	10	5	588		16	25	5	—
		Red	65						1.9				629		10	16		

〈3 Colors type〉																			
Package (mm)	Part No.	Emitting Color	Absolute Maximum Ratings(Ta=25°C)						Electrical and Optical Characteristics(Ta=25°C)									Automotive Grade AEC-Q101	
			Power Dissipation P _D (mW)	Forward Current I _F (mA)	Peak Forward Current I _{FP} (mA)	Reverse Voltage V _R (V)	Operating Temperature Topr (°C)	Storage Temperature Tstg (°C)	Forward Voltage V _F (V)	I _F (mA)	Max. I _R (μA)	V _R (V)	Dominant Wavelength λ _D (nm)		Luminous Intensity I _v (mcd)				
	SMLP34RGB2W	Red						2.1	5	10	5	624		14	35	5	—		
		Green	35	10	50*3	5	-40 to +85	-40 to +100				3.1	527		56			110	
		Blue						3.0				470		28	45				
	SMLP36RGB2W(R)	Red						2.1	5	10	5	624		14	35	5	—		
		Green	26	10	50*3	5	-40 to +85	-40 to +100				3.1	527		56			110	
		Blue						3.0				470		14	35				
	MSL0402RGBU*9	Red	78*9					2.1	20	100	5	624		220	400	20	—		
		Green	120*9	30	100	5	-40 to +85	-40 to +100				3.5	527		360			550	
		Blue	114*9					3.3				470		90	180				
	MSL0501RGBW	Red		50				2.1	20	100	5	624		450	700	20	—		
		Green	400*9	40				3.3				527		710	1,200				
		Blue						3.3				470		220	400				
	☆MSL0502RGBW	Red						2.1	20	100	5	624		280	500	20	—		
		Green	180*9	30				3.5				527		560	1,000				
		Blue						3.3				470		140	300				
	SMLVN6RGB1W*9	Red		50				2.1	20	100	5	624		450	700	20	—		
		Green	400*9	40	100	5	-40 to +85	-40 to +100				3.3	527		710			1,200	
		Blue						3.3				470		220	400				
	SMLVN6RGB1U*9	Red			50				2.1	20	100	5	624		450	700	20	—	
		Green	400*9	40				3.3	527				710	1,200					
		Blue						3.3	470				220	400					
	SMLVN6RGB7W	Red		50				2.1	20	100	5	624		280	500	20	—		
		Green	180*9	30				3.5				527		560	1,000				
		Blue						3.3				470		140	300				
		MSL0104RGBW*8	Red		50				2.1	20	100	5	624		450	700	20	—	
			Green	400*9	40	100	5	-40 to +85	-40 to +100				3.3	527		710			1,200
			Blue						3.2				470		220	400			
MSL0104RGBU*9		Red			50				2.1	20	100	5	624		450	700	20	—	
		Green	400*9	40				3.3	527				710	1,200					
		Blue						3.2	470				220	400					
	MSL0601RGBU	Red		40				2.1	20	100	5	624		600	700	20	—		
		Green	300*9	30	100	5	-40 to +85	-40 to +100				3.3	527		1,100			1,250	
		Blue						3.2				470		290	360				

〈Surface Mount type Infrared LEDs〉																		
Package (mm)	Part No.	LED Chip	Emitting Color	Absolute Maximum Rating(Ta=25°C)						Electrical and Optical Characteristics(Ta=25°C)								
				Power Dissipation P _D (mW)	Forward Current I _F (mA)	Peak Forward Current I _{FP} (mA)	Reverse Voltage V _R (V)	Operating Temperature Topr (°C)	Storage Temperature Tstg (°C)	Forward Voltage V _F (V)	I _F (mA)	Reverse Current I _R (μA)	V _R (V)	Light Wavelength λ _p (nm)		Radiant Intensity (mW/sr)		
	☆SML-P15R2T	AlGaAs	Infrared	(40)	(20)	(100)*2	(5)	(-40 to +85)	(-40 to +100)	(1.6)	(100)	5	(870)		—	(1.1)	20	
	☆SML-S15R2T			(100)	(50)	(300)*2				(1.4)			(10)	(840)		(5.6)		(12)
	SML-M13RT			60		100*2	-40 to +85	-40 to +100	1.4	10	870		20	0.5	1.7	20		
	SML-S13RT			30		300*2					5	850		1.5	2.5			
	SCM-013RT			57		500*2									0.5		2.0	

*1:Duty1/5, 200Hz *2:Duty1/10, 1kHz *3:Duty≤1/20, 1ms *4:Duty≤1/5, 1kHz *5:Duty1/10, pulse width 10ms Max.
 *6:Total power dissipation in case of lighting three colors. (when lighting three colors, it will be reduced down to 30% of it.)
 *7:50mmx50mm, Substrate : FR4 : t=1.6mm Cu foil : t=0.07mm *8:Epoxy resin *9:Silicone resin Note1: Automotive Grade product : Addition(C)

() : Reference ☆ : Under Development

Surface Mount Phototransistors																		
Package size(mm)	Part No.	LED Chip	Absolute Maximum Ratings(Ta=25°C)						Electrical and Optical Characteristics(Ta=25°C)									
			Collector-Emitter Voltage (V)	Emitter-Collector Voltage (V)	Collector Current (mA)	Collector Power Dissipation (mW)	Operating Temperature Topr (°C)	Storage Temperature Tstg (°C)	Light Current		Dark Current		Sensitivity Wavelength λp Typ. (nm)	Collector-emitter Saturation Voltage				
								Min. (mA)	Max. (mA)	Vce(V) /ε(Lx)	Max. (μA)	Vce (V)			Min. (V)	Typ. (V)	Max. (V)	Ic(mA) /ε(Lx)
2.0×1.25(t=0.8)	SML-H10TB	Si	32	5	30	80	-30 to +85	-30 to +100	2.0	4.0	5/500	0.5	10	800	—	—	0.4	0.1/500
Reverse mount available 3.4×1.25(t=1.1)	SML-810TB								2.3	3.8								
3.0×1.5(t=2.2)	SCM-014TB								0.3									

Part No. Configuration (Chip LEDs)

Exclude Mono-color(Blue(B), Green(E), White(WB) and RGB)

[SML series/SCM series]

Series name: **S M L** — Package shape: **D 1 2 V** Color: **8** Resin color: **W T 8 6** Terminal shape and taping specifications: **T 8 6** Brightness rank: **8 6**

Chip control symbol: **8** Remarks: **W T 8 6** Special control symbol: **T 8 6**

SML chip LED series	P1 1.0×0.6 t=0.2mm	1 Low current type	V Red	M Yellowish green	T Transparent colorless	T86 Cathode at sprocket hole side(the top)	Refer to specification
SCM chip LED series	E1 1.6×0.8 t=0.36mm	2 High brightness type	U Red	F Green	W Milky white	T86 Cathode at sprocket hole side(the back)	
	D1 1.6×0.8 t=0.55mm	3 Ultra high brightness type	U2 Red	P Green	B Black	T68 Cathode at sprocket hole side(the top)	
	H1 2.0×1.25 t=0.8mm		D Orange	MV Yellowish green/Red			
	M1 2.0×1.25 t=0.8mm		Y3 Yellow	MU Yellowish green/Red			
	01 3.0×2.0 t=1.3mm		Y Yellow	MD Yellowish green/Orange			
	Z1 3.5×2.8 t=1.9mm		W Yellow	MY Yellowish green/Yellow			
	A1 1.6×1.15 t=0.55mm		Y2 Yellow	R Infrared			
	81/82 3.4×1.25 t=1.1mm		M2 Yellowish green	T Phototransistor			
	S1 3.2×1.6 t=1.85mm						
	P2 1.0×1.0 t=0.2mm						
	52 1.3×1.5 t=0.6mm						

[CSL series]

Series name: **C S L 0 7** Package shape: **0 1 D** Color: **0 1 D** Resin color: **T 5** Terminal shape and taping specifications: **T 5** Brightness rank: **5**

Chip control symbol: **0 1 D** Remarks: **T 5** Special control symbol: **T 5**

CSL chip LED series	04 2.8×1.2 t=0.8mm	V Red	W Yellow	T Transparent Colorless	1 Cathode at sprocket hole side(the top)	Refer to specification
	07 2.9×2.4 t=3.1mm	U Red	M Yellowish green	W Milky white	5 Cathode at sprocket hole side(the big reel)	
	09 1.6×0.8 t=1.24mm	D Orange	P Green			
	10 1.6×0.8 t=1.06mm	Y Yellow	WBx White			

Mono-color(Blue(B), Green(E), White(WB) and RGB)

[SML series/SCM series]

Chromaticity rank(for RGB LED)

*SMLP34RGB2W,

SMLP36RGB2W(R) is not applied.

Series name: **S M L E N 3 W B C 8** Package shape: **W 1** Color: **W B C 8** Resin color: **W 1** Terminal shape and taping specifications: **W 1** Brightness rank: **1**

Chip control symbol: **W B C 8** Remarks: **W 1** Special control symbol: **W 1**

SML chip LED series	P1 1.0×0.6 t=0.2mm	2 High brightness type	E Green	Resin color	T86 Cathode at sprocket hole side(the top)	Refer to specification
SCM chip LED series	E1 1.6×0.8 t=0.36mm	3 Ultra high brightness type	E2 Blue Green	T Transparent Colorless	(in case of white, RGB)	
	D1 1.6×0.8 t=0.55mm		B Blue	W Milky white	1 Cathode at sprocket hole side(the top)	
	MN 2.0×1.25 t=0.8mm		WBx White		3 Cathode at sprocket hole side(the top 2mm pitch)	
	Z1/ZN 3.5×2.8 t=1.9mm		BU Blue/Red	Resin		
	K1/K2 4.5×2.0 t=0.6mm		RGB Red/Green/Blue	(in case of VN6 series)	(in case of S1 and B1 series)	
	A1 1.6×1.15 t=0.55mm			U Silicone	T86 Cathode at sprocket hole side(the back)	
	81 3.4×1.25 t=1.1mm			W Epoxy	T68 Cathode at sprocket hole side(the top)	
	S1 3.2×1.6 t=1.85mm					
	52 1.3×1.5 t=0.6mm					
	P34 1.0×1.0 t=0.2mm					
	P36 1.5×1.0 t=0.2mm					
	VN 3.5×2.8 t=0.6mm					

[MSL series]

Series name: **M S L 0 1 0 4 R G B** Package shape: **U 1** Color: **R G B** Resin color: **U 1** Terminal shape and taping specifications: **U 1** Brightness rank: **1**

Chip control symbol: **0 4 R G B** Remarks: **U 1** Special control symbol: **U 1**

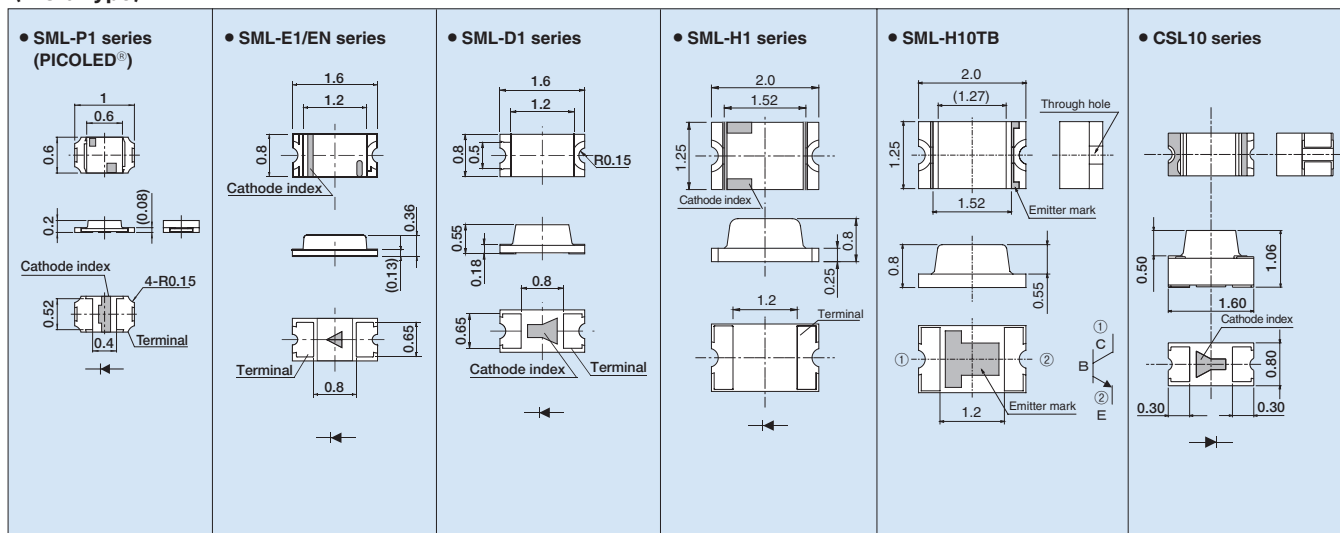
Chromaticity rank(for RGB LED)
*MSL0601RBU is not applied.

MSL Multi color series	01 6.9×2.2 t=2.15mm	RGB Red/Green/Blue	U Silicone	1 Cathode at sprocket hole side(the top)	Refer to specification
	04 1.8×1.6 t=0.5mm		WBx Epoxy		
	05 3.5×2.8 t=0.6mm				
	06 2.9×1.35 t=1.0mm				

SMD LEDs

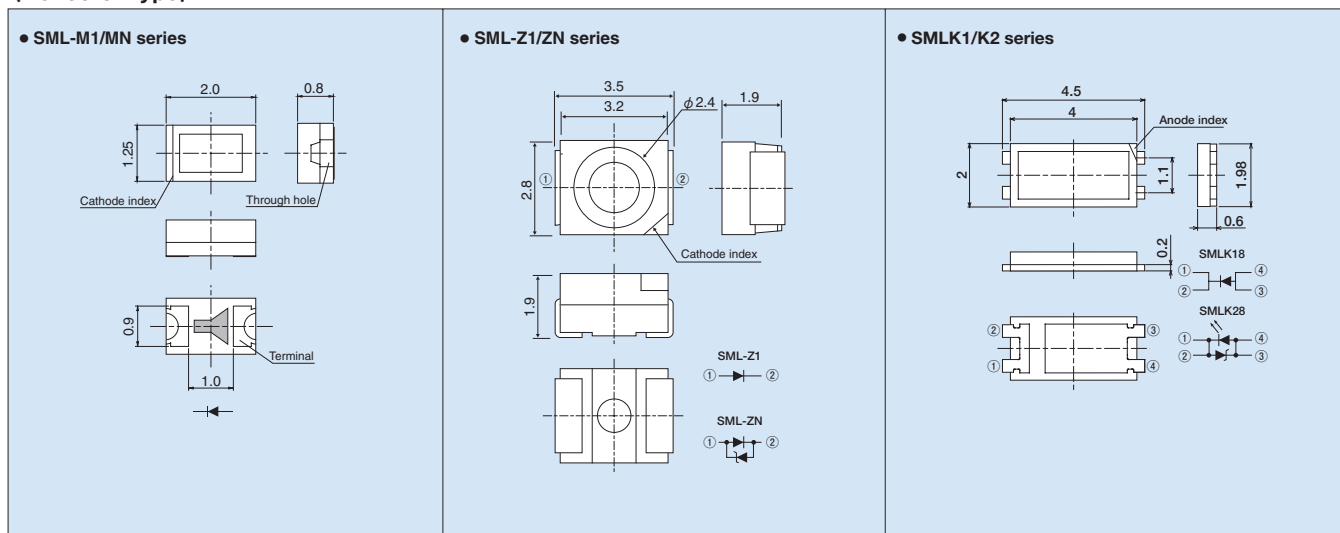
● Dimensions (Unit:mm)

(Mold type)

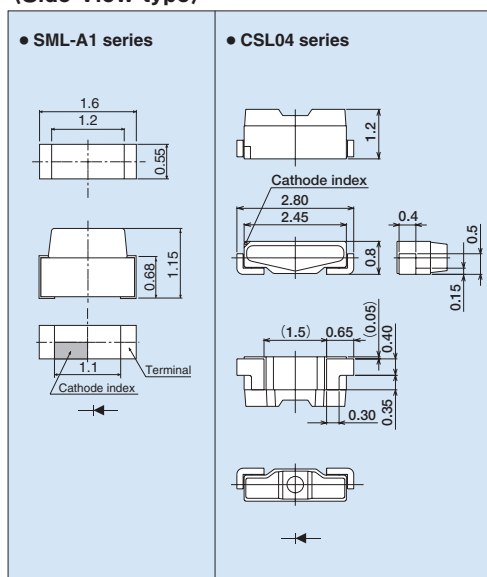


*PICOLED™ is a pending trademarks of ROHM Co., Ltd.

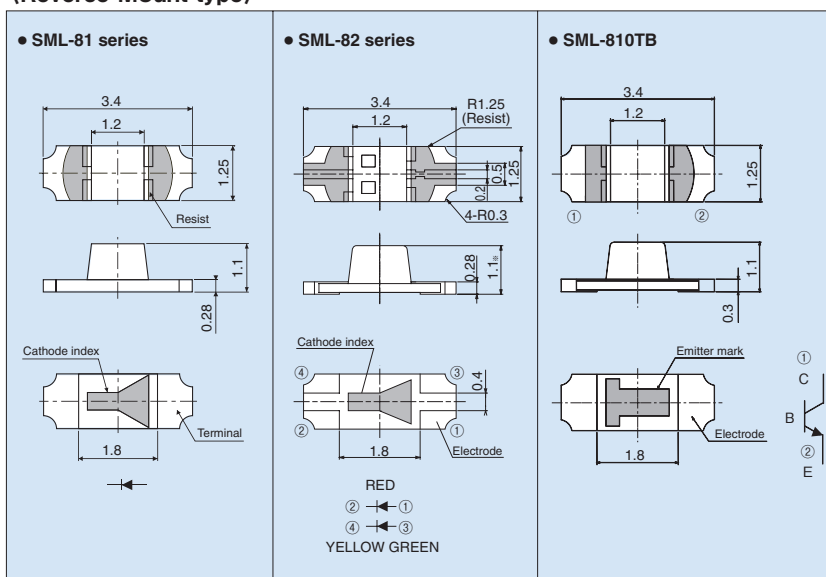
(Reflector type)



(Side View type)

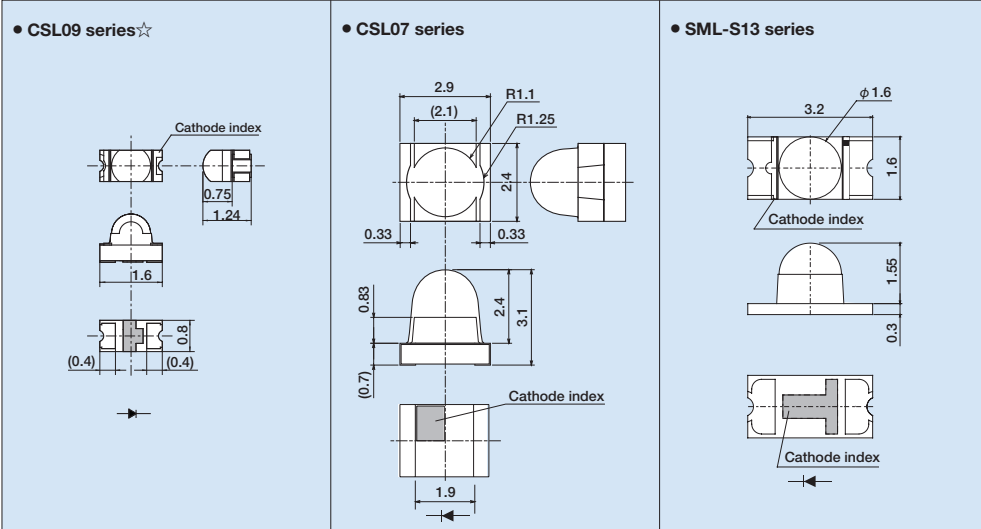


(Reverse Mount type)

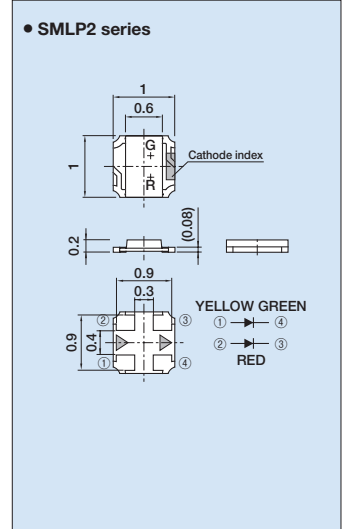


*For further information, please refer to the data sheets.

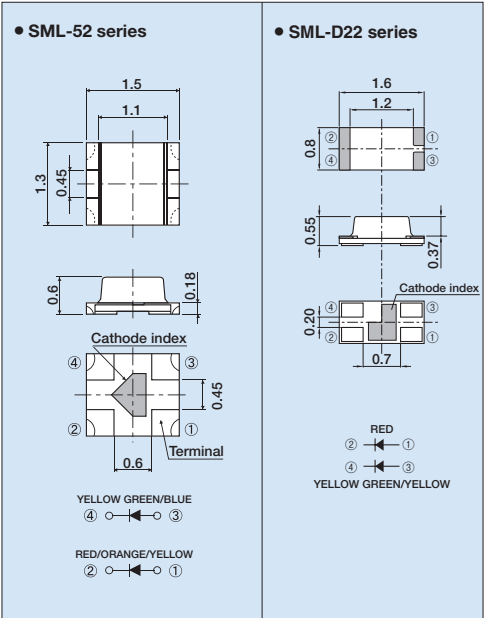
(Surface Mount Lens type)



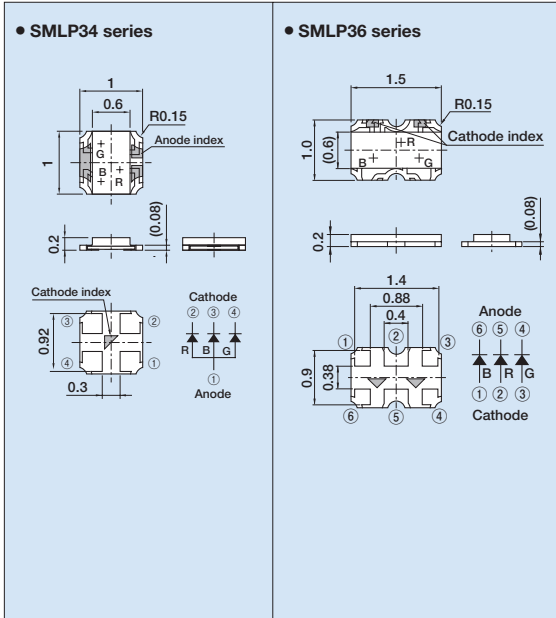
(2 color type)



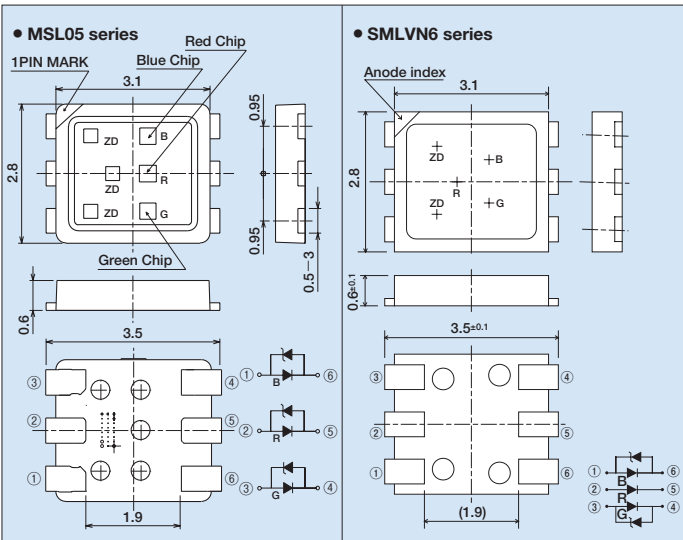
(2 Color type)



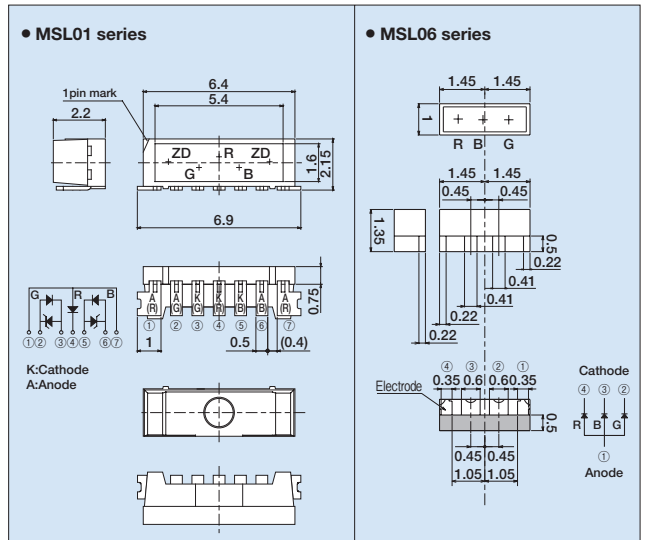
(3 Color type)



(3 Color type)



(3 Color Side View type)



*For further information, please refer to the data sheets.
☆:Under Development

Through-hole LEDs

ROHM offers a wide variety of through-hole LEDs, including lamps that can be automatically mounted onto the PCB as well as high brightness units suitable for public outdoor displays.

Red(V,U) Quick Reference of Brightness

<High Brightness Rank Table>

XE	XF	XG	XH	XJ	XK	XL	XM	XN	XP	XQ	XR	XS	XT	XU
47 to 68	68 to 100	100 to 150	150 to 220	220 to 330	330 to 470	470 to 680	680 to 1000	1000 to 1500	1500 to 2200	2200 to 3300	3300 to 4700	4700 to 6800	6800 to 10000	10000 to 15000

Viewing angle (2θ1/2)	Resin Color	Brightness Rank Brightness (mcd) If (mA)	K	L	M	N	P	Q	R	S	T	U	V		
			4.0 to 6.3	6.3 to 10	10 to 16	16 to 25	25 to 40	40 to 63	63 to 100	100 to 160	160 to 250	250 to 400	400 to 630		
φ3 Circular type	Transparent Colored	20										*SLI-343URC			
													SLI-343V8RC*		
													SLI-343U8RC*		
		10										*SLI-343URC(W)			
	Diffused Colored	20											*SLR-343VC		
		10													
85°	Transparent Colored	10													
	Diffused Colored	10													
φ3 Circular type (Direct mount 5mm pitch type)	Transparent Colored	20													
		10													
	Diffused Colored	20													
		10													
φ3 Flat disc type	Transparent Colored	10													
	Diffused Colored	10													
φ4 Oval type	Diffused Colored	20													
	10°														
φ5 Circular type	Transparent Colorless	20													
	Transparent Colored	20													
		10													

Orange(D) Quick Reference of Brightness

<High Brightness Rank Table>

XE	XF	XG	XH	XJ	XK	XL	XM	XN	XP	XQ	XR	XS	XT	XU
47 to 68	68 to 100	100 to 150	150 to 220	220 to 330	330 to 470	470 to 680	680 to 1000	1000 to 1500	1500 to 2200	2200 to 3300	3300 to 4700	4700 to 6800	6800 to 10000	10000 to 15000

Viewing angle (2θ1/2)	Resin Color	Brightness Rank Brightness (mcd) If (mA)	J	K	L	M	N	P	Q	R	S	T	U	V
			2.5 to 4.0	4.0 to 6.3	6.3 to 10	10 to 16	16 to 25	25 to 40	40 to 63	63 to 100	100 to 160	160 to 250	250 to 400	400 to 630
φ3 Circular type	Transparent Colored	20												
		10												
	Diffused Colored	20												
		10												
85°	Transparent Colored	10												
	Diffused Colored	10												
φ3 Circular type (Direct mount 5mm pitch type)	Transparent Colored	20												
		10												
	Diffused Colored	20												
		10												
φ3 Flat disc type	Transparent Colored	10												
	Diffused Colored	10												
φ4 Oval type	Diffused Colored	20												
	10°													
φ5 Circular type	Transparent Colorless	20												
	Transparent Colored	20												
		10												

Yellow(Y) Quick Reference of Brightness

<High Brightness Rank Table>

XE	XF	XG	XH	XJ	XK	XL	XM	XN	XP	XQ	XR	XS	XT	XU
47 to 68	68 to 100	100 to 150	150 to 220	220 to 330	330 to 470	470 to 680	680 to 1000	1000 to 1500	1500 to 2200	2200 to 3300	3300 to 4700	4700 to 6800	6800 to 10000	10000 to 15000

Viewing angle (2θ1/2)	Resin Color	Brightness Rank Brightness (mcd) If (mA)	J	K	L	M	N	P	Q	R	S	T	U	V
			2.5 to 4.0	4.0 to 6.3	6.3 to 10	10 to 16	16 to 25	25 to 40	40 to 63	63 to 100	100 to 160	160 to 250	250 to 400	400 to 630
φ3 Circular type	Transparent Colored	20												
		10												
	Diffused Colored	20												
		10												
85°	Transparent Colored	10												
	Diffused Colored	10												
φ3 Circular type (Direct mount 5mm pitch type)	Transparent Colored	20												
		10												
	Diffused Colored	20												
		10												
φ3 Flat disc type	Transparent Colored	10												
	Diffused Colored	10												
φ4 Oval type	Diffused Colored	20												
	10°													
φ5 Circular type	Transparent Colorless	20												
	Transparent Colored	20												
		10												

※: Brightness on specification sheet include tolerance of within ±10%. ★: This product refer to high brightness rank table.



<High Brightness Rank Table>

XA	XB	XC	XD	XE	XF	XG	XH	XJ	XK	XL	XM	XN	XP	XQ	XR	XS	XT	XU
10 to 15	15 to 22	22 to 33	33 to 47	47 to 68	68 to 100	100 to 150	150 to 220	220 to 330	330 to 470	470 to 680	680 to 1000	1000 to 1500	1500 to 2200	2200 to 3300	3300 to 4700	4700 to 6800	6800 to 10000	10000 to 15000

Green(M,P,E) Quick Reference of Brightness

	Viewing angle (2θ1/2)	Resin Color	Brightness Rank Brightness (mcd) If(mA)	J	K	L	M	N	P	Q	R	S	T	U	V				
				2.5 to 4.0	4.0 to 6.3	6.3 to 10	10 to 16	16 to 25	25 to 40	40 to 63	63 to 100	100 to 160	160 to 250	250 to 400	400 to 630				
φ3 Circular type	25°	Transparent Colorless	20									*SLA-370MT*							
		Transparent Colored	20									*SLI-343MC							
	10					SLI-343P8C*			*SLR-343MC			*SLI-343M8C*							
	40°	Diffused Colored	20										*SLI-343MG						
			10				SLI-343P8G*			*SLR-343MG			*SLI-343M8G*						
	85°	Diffused Colored Transparent Colored	20															*SLR343EC4T*	*SLR343ECT*
			10				*SLR-332MC			*SLA-360MT*									
	φ3 Circular type (Direct mount 5mm pitch type)	40°	Transparent Colored	10															
			Diffused Colored	10															
	φ3 Flat disc type	35°	Transparent Colored	10															
50°		Diffused Colored	10																
φ4 Oval type	140°	Diffused Colored	20									SLI-430MG*							
	10° 20°	Transparent Colorless	20														*SLA-580MT*	*SLA-570MT*	
φ5 Circular type	40°		Transparent Colored Diffused Colored	10															
		20																	
	10° 40°	Transparent Colorless	10																*SLA580EC4T*
			20																*SLA580ECT*
																		SLA560EC4T	
																		SLA560ECT	

Blue(B) Quick Reference of Brightness

	Viewing angle (2θ1/2)	Resin Color	Brightness Rank Brightness (mcd) If(mA)	XH	XJ	XK	XL	XM	XN	XP	XQ	XR	XS	XT	XU				
				150 to 220	220 to 330	330 to 470	470 to 680	680 to 1000	1000 to 1500	1500 to 2200	2200 to 3300	3300 to 4700	4700 to 6800	6800 to 10000	10000 to 15000				
φ3 Circular type	40°	Transparent Colorless	20																
φ4 Oval type	140°	Milky White	20																
φ5 Circular type	10°	Transparent Colorless	20																
	40°	Transparent Colorless	10																
			20																

White(WB) Quick Reference of Brightness

	Viewing angle (2θ1/2)	Resin Color	Brightness Rank Brightness (mcd) If(mA)	XJ	XK	XL	XM	XN	XP	XQ	XR	XS	XT	XU				
				220 to 330	330 to 470	470 to 680	680 to 1000	1000 to 1500	1500 to 2200	2200 to 3300	3300 to 4700	4700 to 6800	6800 to 10000	10000 to 15000				
φ3 Circular type	40°	Transparent Colorless	20															
φ4 Oval type	140°	Milky White	20															
φ5 Circular type	40°	Transparent Colorless	20															

※:Brightness on specification sheet include tolerance of within ±10%.

★:This product refer to high brightness rank table.

Through-hole LEDs

($\phi 3$ type)																													
Shape	Package Image	Viewing Angle 2 θ 1/2 (Element type)	Part No.	Emitting Color	Absolute Maximum Ratings(Ta=25°C)							Electrical and Optical Characteristics(Ta=25°C)							Automotive Grade AEC-Q101										
					Power Dissipation P _D (mW)	Forward Current I _F (mA)	Peak Forward Current I _{FM} (mA)	Reverse Voltage V _R (V)	Operating Temperature T _{opr} (°C)	Storage Temperature T _{stg} (°C)	Forward Voltage V _F (V)	Reverse Current I _R (μ A)	Peak Wavelength λ_p / Chromaticity Coordinates(x,y)	Luminous Intensity I _v															
$\phi 3$ Circular type		40° Standard	SLI-343V8RC	Red	54	20	100*2	-30 to +85	-40 to +100	2.2	10	9	639	20	150	330	—												
			SLI-343V8R												100	220													
			SLI-343U8RC												150	330													
			SLI-343U8R	100											220														
			SLI-343D8C	330											680														
			SLI-343D8U	220											470														
			SLI-343Y8C	330											680														
			SLI-343Y8Y	220											470														
			SLI-343M8C	68											150														
		SLI-343M8G	10	22																									
		SLI-343P8C	10	22																									
		SLI-343P8G	10	22																									
		SLI-343UR	500																										
		SLI-343DC	350																										
		SLI-343DU	300																										
	SLI-343YC	200																											
	SLI-343YY	180																											
	SLI-343MC	56	200	180	—																								
	SLI-343MG	6	16																										
	SLR343BC7T	105	30	100*2		5	-20 to +80	3.2	5	470	220	1,000	—																
	SLR343BD2T	126	30	470*3						470	1,000																		
	SLR343WBC7T	105	25	(x,y)(0.31,0.31)						330	1,000																		
	SLR343WBD2PT	126	30	1,500		3,300	10																						
	SLR-343VC	Red	60	20	60*1	3		-25 to +85	10	3	650	10	9	25	—														
	SLR-343VR												6	16															
	SLR-343DC												9	25															
	SLR-343DU	6											16																
	SLR-343YC	4											10																
	SLR-343YY	6					16																						
	SLR-343MC	9	25	—																									
SLR-343MG	6	16																											
SLR-343PC	2	6																											
SLR-343PG	2	6																											
SLR343ECT	3.3	518	900		2,200	10																							
SLR343EC4T	3.2	523	420		1,500																								
SLR343BCT	3.3	468	200	600																									
SLR343BC4T	3.2	468	200	470																									
SLI-343URC(W)	Red	125	50	200*2	9		-25 to +85	1.9	9	630	20	36	200	160	20														
SLI-343UR(W)												300																	
SLI-343DC(W)						250																							
SLI-343DU(W)	200																												
SLI-343YC(W)	200																												
SLI-343YY(W)	160																												
SLA-370MT	25° High brightness	Yellow Green	75	25	60*1	4	-25 to +85	-30 to +100	2.3	20	10	4	563	20	42	100	20	—											
SLA-360MT	40° High brightness	Yellow Green	75	25	60*1	4	-25 to +85	-30 to +100	2.3	20	10	4	563	20	42	100	20	—											
$\phi 3$ Circular type	85° Standard	SLR-332VC	Red	60	20	60*1	3	-25 to +85	-30 to +100	2.0	10	10	3	650	4	10	—												
		SLR-332VR													6	16													
		SLR-332DC													6	16													
		SLR-332DU	4												10														
		SLR-332YC	2												6														
		SLR-332YY	6												16														
	SLR-332MC	9	25	—																									
	SLR-332MG	6	16																										
	SLI-580UT	Red	125		50	200*2	9	-30 to +85	-40 to +100	1.9	100	9	9	630	20	900	3,000	20											
	SLI-580DT															2,200	4,000												
	SLI-580YT															900	3,000												
	SLA-580MT	610														2,500													
	SLA580ECT	Green		120												30	100*2		5	-20 to +80	-30 to +100	3.3	100	5	518	20	3,000	8,000	—
	SLA580EC4T	Blue		2,000												4,500													
	SLA580BCT	Blue	900	2,500																									
SLA580BC4T	Blue	610	1,500																										
SLI-570UT	Red	125	50	200*2	9	-30 to +85	-40 to +100	1.9	20	100	9	9	630	20	900	3,000	20												
SLI-570U2T															2,200	4,000													
SLI-570DT															611	900		3,000											
SLI-570YT	591														610	2,500													
SLI-570Y2T	2,200														5,200														
SLA-570MT	Yellow Green														75	25		60*1	4	-25 to +85	-30 to +100	2.1	10	4	563	20	200	470	—
SLI-560UT	Red	125	50	200*2	9	-30 to +85	-40 to +100	1.9	100	9	9	9	630	20	300	1,000	20												
SLI-560DT															611														
SLI-560YT															591														
SLA-560MT	Yellow Green														75	25		60*1	4	-25 to +85	2.3	10	4	563	20	42	100		
SLA560BD2T	Blue														1,000	2,200													
SLA560WBD2PT	White														126	20		10	(x,y)(0.31,0.31)	1,500	3,300	20							
SLA560ECT	Green	120	30	100*2	5	-20 to +80	3.3	100	5	518	610	2,000																	
SLA560EC4T	Green	3.2	523	610	1,500																								
SLA560BCT	Blue	3.3	468	200	600																								
SLA560BC4T	Blue	3.2	468	200	470																								
SLR-56VC	Red	60	20	60*1	3	-25 to 85	10	10	3	650	10	9	25	10															
SLR-56VR												4	10																
SLR-56DC												9	25																
SLR-56DU	4											10																	
SLR-56YC	9											25																	
SLR-56YY	6											16																	
SLR-56MC	14	40	—																										
SLR-56MG	6	16																											

*1:Duty1/5, 200Hz *2:Duty1/10, 1kHz *3:Dominant Wavelength

〈Oval type〉																				
Shape	Package Image	Viewing Angle 2θ1/2 (Element type)	Part No.	Emitting Color	Absolute Maximum Ratings(Ta=25°C)						Electrical and Optical Characteristics(Ta=25°C)						Automotive Grade AEC-Q101			
					Power Dissipation P _o (mW)	Forward Current I _F (mA)	Peak Forward Current I _{Fm} (mA)	Reverse Voltage V _R (V)	Operating Temperature T _{opr} (°C)	Storage Temperature T _{stg} (°C)	Forward Voltage V _F (V)	Reverse Current I _R (μA)	Peak Wavelength λ _p / Chromaticity Coordinates(x,y)	Luminous Intensity I _v						
Oval type φ4		140°	SLI-430U2R	Red							2.0			620*3	220	400				
			SLI-430DU	Orange	75			9							605*3	470				
			SLI-430Y2U	Yellow	30	100*2		-40 to +85	-40 to +100	2.1	20	10	9		590*3	330	500	20		
			SLI-430MG	Yellow Green											570*3	68	120			
			SLD430BD2W	Blue	120			5		3.2			5		470*3	330	560			
			SLD430WBD2PT	White											(x,y)(0.31,0.31)	680	1,850			
〈Others〉																				
φ3.2 Circular type		40°	SLI-325URC(W)*	Red							1.9			630		160				
			SLI-325UR(W)*	Orange	48			4							611	20	36	20		
			SLI-325DC(W)*	Orange														160		
			SLI-325DU(W)*	Yellow												591		160		
			SLI-325YC(W)*	Yellow		20												100		
			SLI-325YY(W)*	Yellow														100		
Direct mount 5mm pitch type		40°	SLR-325VC*	Red			60*1	-25 to +85	-30 to +100					650		6	16			
			SLR-325VR*	Orange													4	10		
			SLR-325DC*	Orange	60											610		6	16	
			SLR-325DU*	Yellow								10	10	3			4	10	10	
			SLR-325YC*	Yellow				3								585		2	6	
			SLR-325YY*	Yellow														9	25	
φ3 Flat disc type		35°	SLR-322VC	Red										650		6	16			
			SLR-322DC	Orange	60	20									610					
			SLR-322YC	Yellow											585		4	10		
		50°	SLR-322MR	Yellow Green	75	25									563	10	9	25	10	
			SLR-322VR	Red			60*1	3	-25 to +85	-30 to +100		10	10	3		650		4	10	
			SLR-322DU	Orange	60	20										610		2	6	
SLR-322YY	Yellow												585		4	10				
SLR-322MG	Yellow Green	75	25										563		6	16				

* SLI-325/SLR-325 series : straight taping only.
*1:Duty1/5, 200Hz *2:Duty1/10, 1kHz *3:Dominant Wavelength

● Part No. Configuration 〈Through-hole LEDs〉

■ Exclude Mono-color(Blue(B), Green(E), White(WB))

Chip control symbol Remarks Special control symbol

S L I - 3 4 3 V **8 R C 3 F** **3F**

Series name Package shape Color Resin color Terminal shape and taping specifications Brightness rank

SLA 1-Die Circular type High Brightness LED Lamps	343 φ3 Circular type	V Red	R <Red>-Diffused colored	3F 1-Die straight bulk	Refer to specification
SLI 1-Die Circular type Low Current High Brightness LED Lamps	360 φ3 Circular type	U Red	U <Orange>-Diffused colored	T31 Refer to taping specification	
SLR 1-Die Circular type LED Lamp	370 φ3 Circular type	U2 Red	Y <Yellow>-Diffused colored	T32	
	56 φ5 Circular type	D Orange	G <Yellowish green>-Diffused colored		
	570 φ5 Circular type	Y Yellow	C Transparent colored		
	580 φ5 Circular type	Y2 Yellow	T Transparent colorless		
	430 Oval type φ4	M Yellowish green			
	325 φ3.2 Circular type	P Green			
	322 φ3 Flat disc type				

■ Mono-color(Blue(B), Green(E), White(WB))

Chip control symbol Remarks Chromaticity rank(for white LED)
*SLA560WBD2PT is not applied. Special control symbol

S L R 3 4 3 W B D **2 P T 2** **3F**

Series name Package shape Color Resin color Terminal shape and taping specifications Brightness rank

SLA 1-Die Circular type High Brightness LED Lamps	343 φ3 Circular type	BC Blue	T Transparent colorless	3F 1-Die straight bulk	Refer to specification
SLR 1-Die Circular type LED Lamps	560 φ5 Circular type	BD Blue	W Milky white	T31 Refer to specification	
SLD 1-Die Oval type High Brightness LED Lamps	580 φ5 Circular type	EC Green		T32	
	430 Oval type φ4	ED Green			
		WBx White			

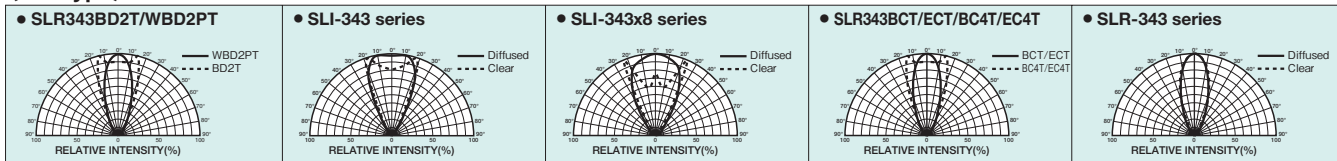
(in case of white)

3 1-Die straight bulk
1 Refer to specification(same as T31)
2 Refer to specification(same as T32)

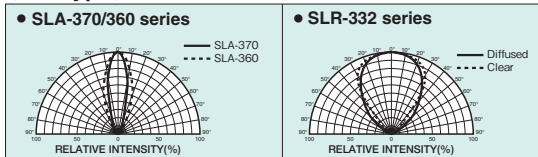
Through-hole LEDs

● Viewing Angle (Unit:deg)

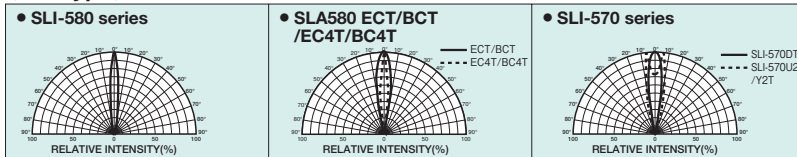
⟨ ϕ 3 type ⟩



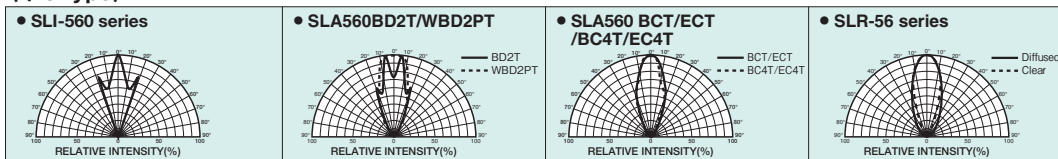
⟨ ϕ 3 type ⟩



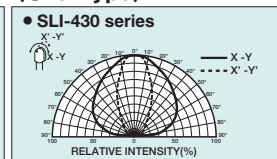
⟨ ϕ 5 type ⟩



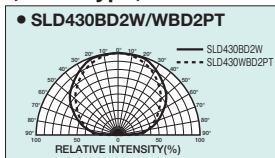
⟨ ϕ 5 type ⟩



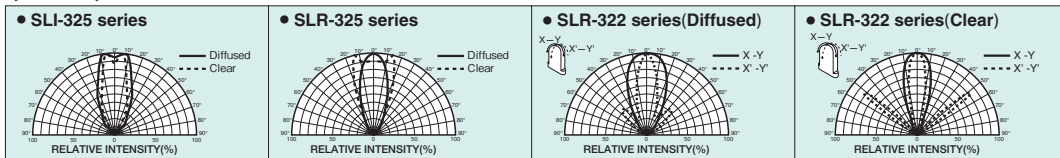
⟨ Oval type ⟩



⟨ Oval Type ⟩



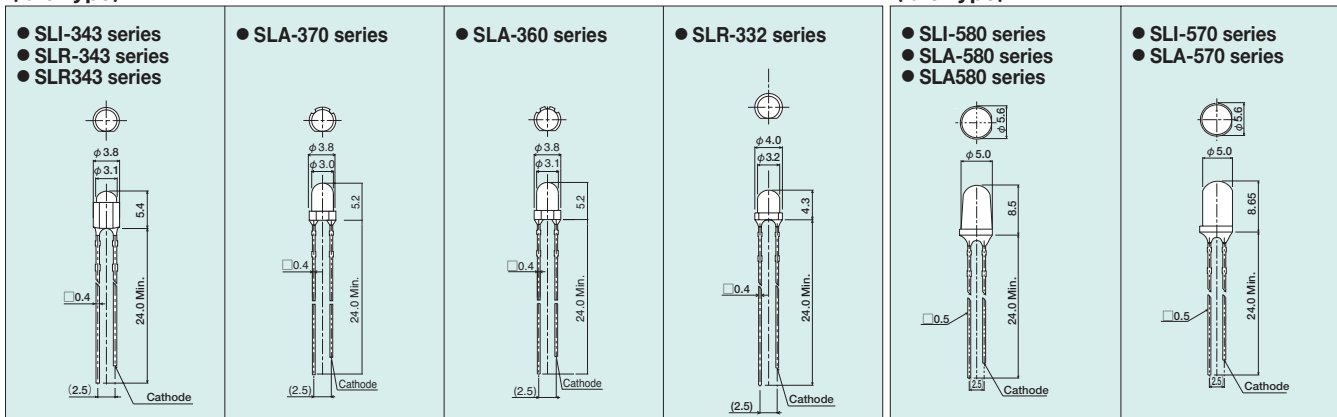
⟨ Others ⟩



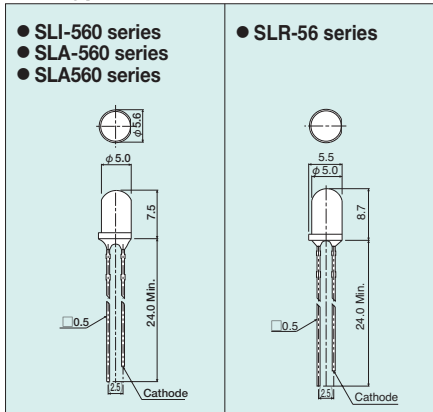
Notes: Viewing Angle shown above are the reference data from standard product. For the part numbers other than the above, please contact us.

● Dimensions (Unit:mm)

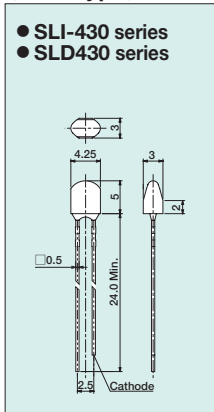
⟨ ϕ 3 type ⟩



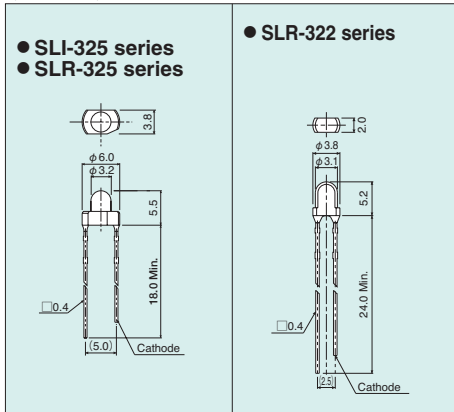
⟨ ϕ 5 type ⟩



⟨ Oval type ⟩



⟨ Others ⟩



*For further information, please refer to specification.