



*Power Devices*

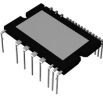
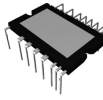
# Intelligent Power Modules

## CONTENTS

■ IGBT-IPM .....	P. B14
■ MOS-IPM .....	P. B14

# Intelligent Power Modules

## ● Quick Reference for Intelligent Power Modules

V <sub>DSS</sub> /V <sub>CES</sub> (V)	I <sub>D</sub> /I <sub>C</sub> (A)	Thermal Protective Function*2	IGBT-IPM		MOS-IPM
			PWM Input Frequency up to 6kHz	PWM Input Frequency up to 20kHz	
			 HSDIP25	 HSDIP25-VC	
600	10	TSD	BM63363S-VA BM63363S-VC	BM63763S-VA BM63763S-VC	
		VOT	<b>New</b> BM63563S-VA <b>New</b> BM63563S-VC	<b>New</b> BM63963S-VA <b>New</b> BM63963S-VC	
	15	TSD	BM63364S-VA BM63364S-VC	BM63764S-VA BM63764S-VC	BM65364S-VA BM65364S-VC
		VOT	<b>New</b> BM63564S-VA <b>New</b> BM63564S-VC	<b>New</b> BM63964S-VA <b>New</b> BM63964S-VC	
	30	TSD		BM63767S-VA BM63767S-VC	
		VOT		<b>New</b> BM63967S-VA <b>New</b> BM63967S-VC	

## Intelligent Power Modules

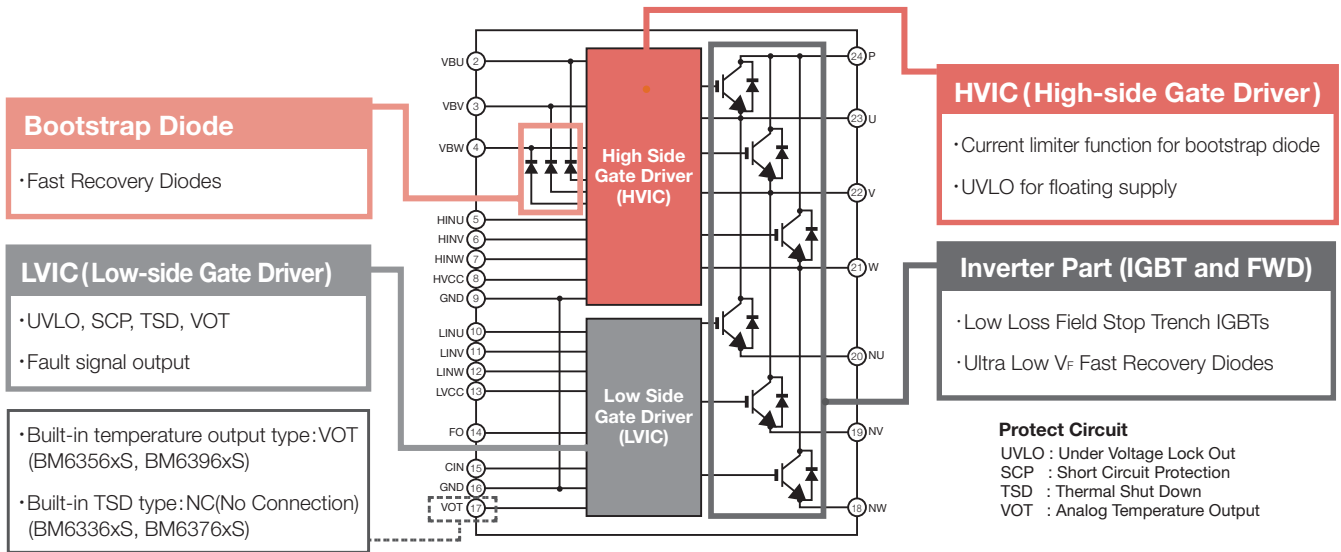
IGBT-IPM									
Part No.	Power Device	V <sub>CES</sub> (V)	I <sub>C</sub> (A)	V <sub>CE(sat)</sub> (V)	PWM Input Frequency (kHz)	Isolation Voltage*1 (Vrms)	Thermal Protective Function*2	Package	
BM63363S-VA	IGBT	600	10	1.5	up to 6	1,500	TSD	HSDIP25	
BM63363S-VC	IGBT	600	10	1.5	up to 6	1,500	TSD	HSDIP25VC	
<b>New</b> BM63563S-VA	IGBT	600	10	1.5	up to 6	1,500	VOT	HSDIP25	
<b>New</b> BM63563S-VC	IGBT	600	10	1.5	up to 6	1,500	VOT	HSDIP25VC	
BM63763S-VA	IGBT	600	10	1.7	up to 20	1,500	TSD	HSDIP25	
BM63763S-VC	IGBT	600	10	1.7	up to 20	1,500	TSD	HSDIP25VC	
<b>New</b> BM63963S-VA	IGBT	600	10	1.7	up to 20	1,500	VOT	HSDIP25	
<b>New</b> BM63963S-VC	IGBT	600	10	1.7	up to 20	1,500	VOT	HSDIP25VC	
BM63364S-VA	IGBT	600	15	1.5	up to 6	1,500	TSD	HSDIP25	
BM63364S-VC	IGBT	600	15	1.5	up to 6	1,500	TSD	HSDIP25VC	
<b>New</b> BM63564S-VA	IGBT	600	15	1.5	up to 6	1,500	VOT	HSDIP25	
<b>New</b> BM63564S-VC	IGBT	600	15	1.5	up to 6	1,500	VOT	HSDIP25VC	
BM63764S-VA	IGBT	600	15	1.7	up to 20	1,500	TSD	HSDIP25	
BM63764S-VC	IGBT	600	15	1.7	up to 20	1,500	TSD	HSDIP25VC	
<b>New</b> BM63964S-VA	IGBT	600	15	1.7	up to 20	1,500	VOT	HSDIP25	
<b>New</b> BM63964S-VC	IGBT	600	15	1.7	up to 20	1,500	VOT	HSDIP25VC	
BM63767S-VA	IGBT	600	30	1.7	up to 20	1,500	TSD	HSDIP25	
BM63767S-VC	IGBT	600	30	1.7	up to 20	1,500	TSD	HSDIP25VC	
<b>New</b> BM63967S-VA	IGBT	600	30	1.7	up to 20	1,500	VOT	HSDIP25	
<b>New</b> BM63967S-VC	IGBT	600	30	1.7	up to 20	1,500	VOT	HSDIP25VC	
MOS-IPM									
Part No.	Power Device	V <sub>DSS</sub> (V)	I <sub>D</sub> (A)	R <sub>on</sub> (mΩ)	Recommended Switching Frequency (kHz)	Isolation Voltage*1 (Vrms)	Thermal Protective Function*2	Package	
BM65364S-VA	MOSFET	600	15	120	up to 20	1,500	TSD	HSDIP25	
BM65364S-VC	MOSFET	600	15	120	up to 20	1,500	TSD	HSDIP25VC	

\*1 AC 60Hz, 1 minutes, Corresponds to isolation voltage 2,500Vrms in the case the convex-shaped heat sink.  
\*2 TSD : Thermal Shut Down, VOT : Analog Temperature Output

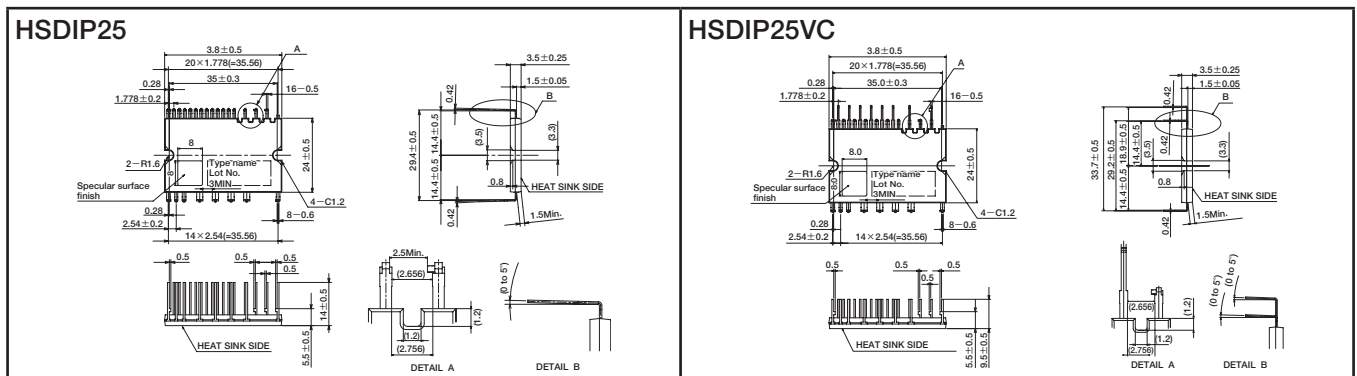
**B** Intelligent Power Modules

●Block Diagram

IGBT-IPM



●Packages (Unit : mm)



●Part No. Explanation

**B M 6 3 3 6 4 S -xx**

Part No.

Package

Packaging and forming specification

S	HSDIP25 HSDIP25VC
---	----------------------

VA	Tube, Long pin type(HSDIP25)
VC	Tube, Staggered type(control side)(HSDIP25VC)

B

Intelligent Power Modules

