

SENSYLINK Microelectronics

(CT7301)

Digital Temperature Sensor

CT7301 is a Digital Temperature Sensor with ± 0.1 °C Accuracy Compatible with SMBus, I²C and 2-wire Interface. It is ideally used in HVAC, Thermal management and Portable Devices etc.

±0.1 °C Digital Temperature Sensor with Digital Interface

Description

CT7301 is a digital temperature sensor with ±0.1°C accuracy. Temperature data can be read out directly via digital interface (compatible with SMBus, I²C or 2-wire) by MCU or SoC chip.

CT7301 supports I²C communication with speed up to High Speed Mode (3.4 MHz).

Each chip is specially calibrated for ±0.1°C(Max.) accuracy over 30°C to 50°C range in factory before shipment to customers. There is no need for re-calibration anymore for ±0.1°C accuracy.

It includes a high precision band-gap circuit, a 13-bit analog to digital converter that can offer 0.03125°C resolution, a calibration unit with non-volatile memory, and a digital interface block.

It has ALERT logic output pin with open drain structure, which is selectable for active low or high by programming. ALERT response is compatible with SMBus ALERT Response Address (ARA).

Available Package: SOP-8 and DFN-3x3-8 package

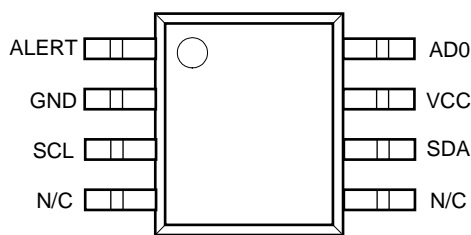
Features

- Operation Voltage: 3.0V to 5.5V
- Average Quiescent Current: 10uA at 4.0 con/s;
- Standby Current: 1.5uA (Max.)
- Temperature Accuracy without calibration: Maximum: ±0.1°C from 30°C to 50°C
Maximum: ±0.5°C from 0°C to 80°C
- 13 bit ADC for 0.03125°C resolution
- Compatible with SMBus, 2-wire and I²C interface
- Programmable Over/Under Temperature
- Programmable Active Low or High for ALERT pin
- Support SMBus ALERT Response Address(ARA)
- Generate 4 different slave address by AD0 pin
- Temperature Range: -40°C to 125°C

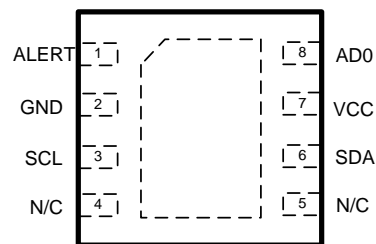
Applications

- Smart HVAC System
- Thermal Management
- Portable Device

PIN Configurations (Top View)



SOP-8(Package Code M)



DFN-3x3-8 (package code DN)

Typical Application

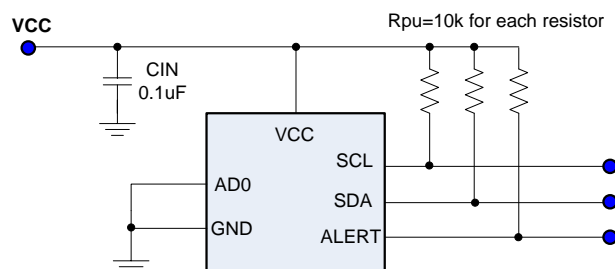


Figure 1. Typical Application of CT7301

±0.1 °C Digital Temperature Sensor with Digital Interface

Pin Description

PIN No.	PIN Name	Description
1	ALERT	To Indicate ALERT of over or under Temperature programmed by setting T_{HIGH}/T_{LOW} register, it is open drain output with programmable active low or high. Need a pull-up resistor to VCC in application.
2	GND	Ground pin.
3	SCL	Digital interface clock input pin, need a pull-up resistor to VCC.
4	N/C	Not connected.
5	N/C	Not connected.
6	SDA	Digital interface data input or output pin, need a pull-up resistor to VCC.
7	VCC	Power supply input pin, using 0.1uF low ESR ceramic capacitor to ground
8	AD0	Address selection pin, the chip can be defined 4 different slave address by connection AD0 pin to GND, VCC, SCL or SDA pin. see 1.5.1 Slave Address

Function Block

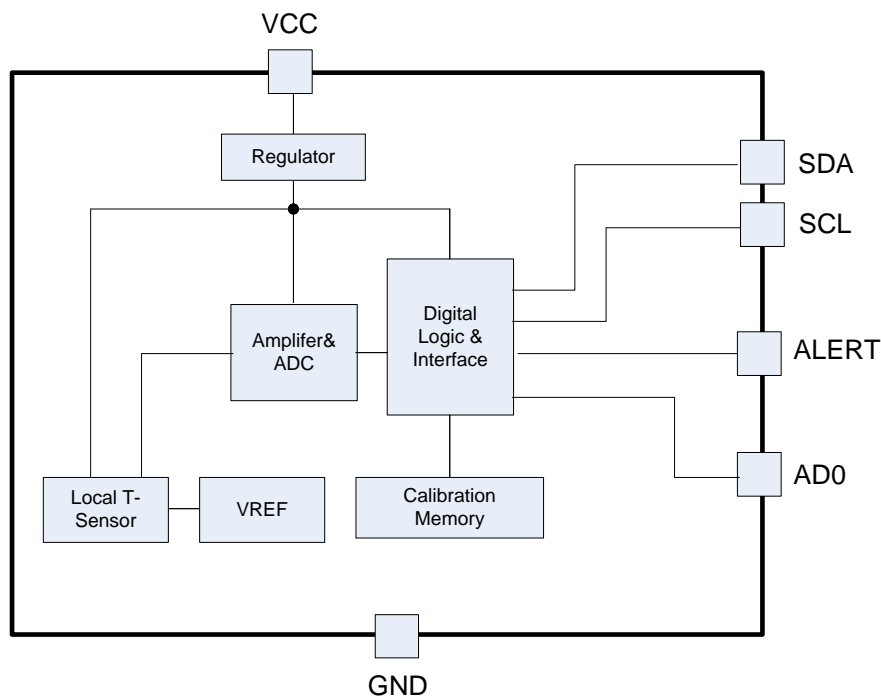
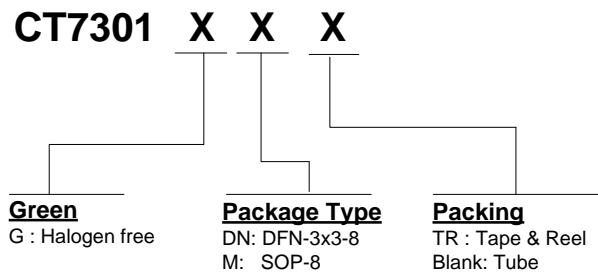


Figure 2. CT7301 function block

±0.1 °C Digital Temperature Sensor with Digital Interface
Ordering Information


Order PN	Accuracy	Green ¹	Package	Marking ID ²	Packing	MPQ	Operation Temperature
CT7301GDNTR	±0.5°C	Halogen free	DFN-3x3-8	7301 YWWA	Tape & Reel	5,000	-40°C~+125°C
CT7301GM	±0.5°C	Halogen free	SOP-8	7301 YWWA	Tube	32,000	-40°C~+125°C
CT7301GMTR	±0.5°C	Halogen free	SOP-8	7301 YWWA	Tape & Reel	2,500	-40°C~+125°C

Notes

1. Based on ROHS Y2012 spec, Halogen free covers lead free. So most package types Sensylink offers only states halogen free, instead of lead free.

2. Marking ID includes 2 rows of characters. In general, the 1st row of characters are part number, and the 2nd row of characters are date code plus production information.

- 1) Generally, date code is represented by one number and one letter. The number stands for year information, e.g. 5 stands for year 2015; 6 stands for year 2016. The capital letter (A-Z) stands for week information, e.g. A stands for 1st - 2nd week; B stands for 3rd - 4th week, and so on. Z stands for 51st - 54th week.
- 2) Right after the date code information, the next 2-3 numbers or letters are specified to stand for supplier or production location information.

±0.1 °C Digital Temperature Sensor with Digital Interface

Absolute Maximum Ratings (Note 3)

Parameter	Symbol	Value	Unit
Supply Voltage	V_{CC} to GND	-0.3 to 5.5	V
SDA, SCL, AD0 Voltage	$V_{SDA}/V_{SCL}/V_{AD0}$ to GND	-0.3 to 5.5	V
ALERT Voltage	V_{ALERT} to GND	-0.3 to 5.5	V
Operation junction temperature	T_J	-50 to 150	°C
Storage temperature Range	T_{STG}	-65 to 150	°C
Lead Temperature (Soldering, 10 Seconds)	T_{LEAD}	260	°C
ESD MM	ESD_{MM}	600	V
ESD HBM	ESD_{HBM}	6000	V
ESD CDM	ESD_{CDM}	1000	V

Note 3

1. *Stresses greater than those listed under "Absolute Maximum Ratings" may cause permanent damage to the device. These are stress ratings only. Functional operation of the device at the "Absolute Maximum Ratings" conditions or any other conditions beyond those indicated under "Recommended Operating Conditions" is not recommended. Exposure to "Absolute Maximum Ratings" for extended periods may affect device reliability.*
2. *Using 2oz dual layer (Top, Bottom) FR4 PCB with 4x4 mm² cooper as thermal PAD*

Recommended Operating Conditions

Parameter	Symbol	Value	Unit
Supply Voltage	V_{CC}	3.0 ~ 5.0	V
Ambient Operation Temperature Range	T_A	-40 ~ +125	°C

±0.1 °C Digital Temperature Sensor with Digital Interface

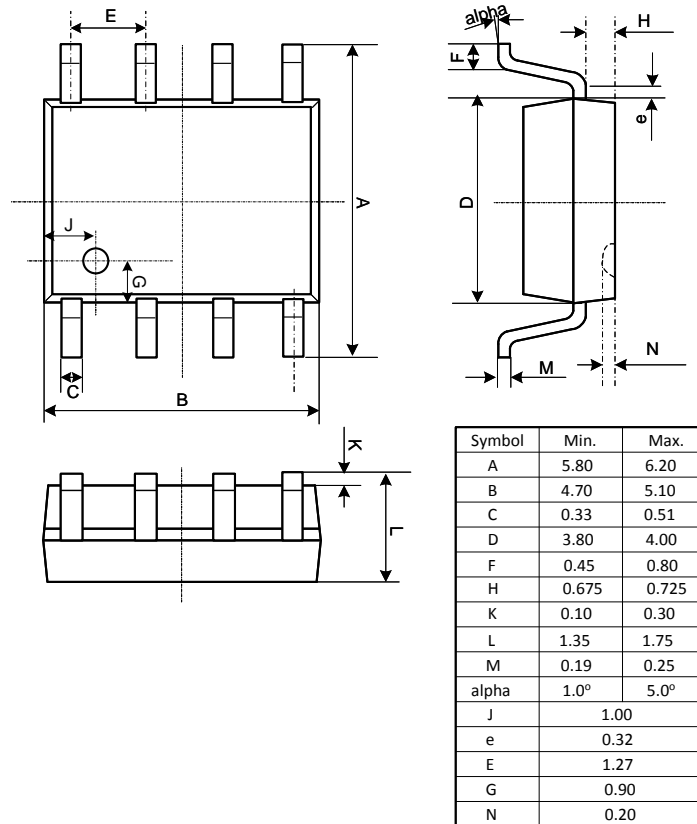
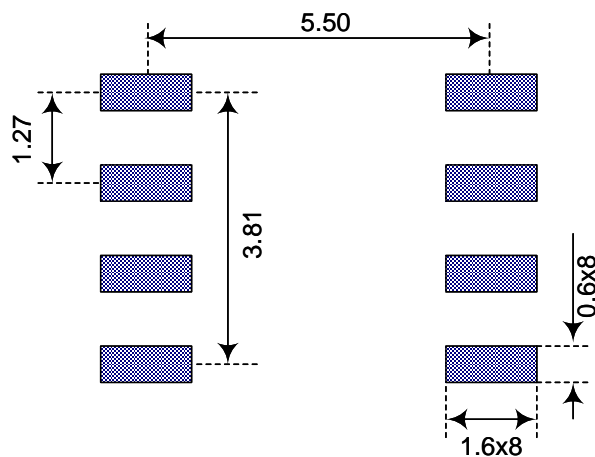
Electrical Characteristics (Note 4)

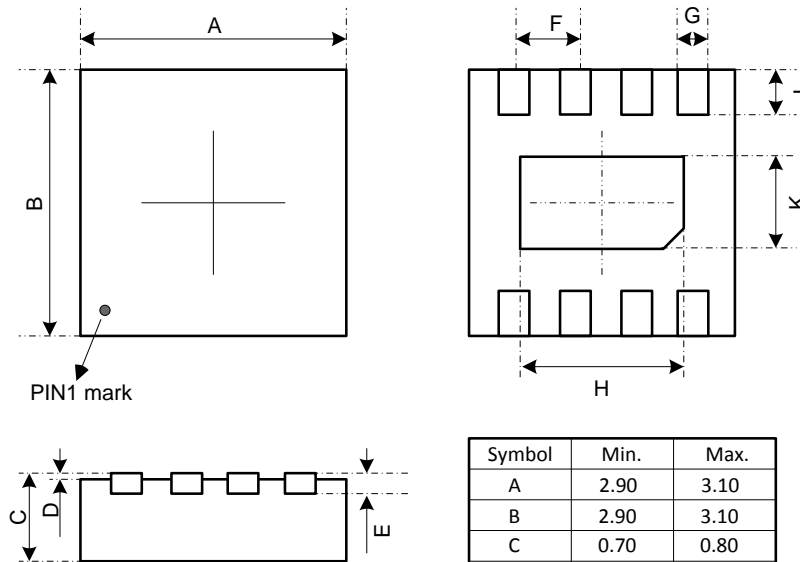
Test Conditions: $C_{IN} = 0.1\mu F$, $V_{CC} = 3.0V$ to $5.0V$, $T_A = -40$ to $125^\circ C$ unless otherwise specified. All limits are 100% tested at $T_A = 25^\circ C$.

Parameter	Symbol	Test Conditions	Min	Typ	Max	Unit
Supply Voltage	V_{CC}		3.0		5.0	V
Temperature Accuracy	T_{AC}	$T_A = 30$ to $50^\circ C$	-0.1		0.1	$^\circ C$
		$T_A = 0$ to $80^\circ C$	-0.5		0.5	$^\circ C$
Temperature Resolution		13-bit		0.03125		$^\circ C$
Average Operating Current	I_{AOC}	$V_{IN} = 3.3V, 4.0$ con/s		7.0	10.0	μA
Shutdown Current	$I_{SHUTDOWN}$	Enable STB bit, force SDA/SCL to VCC or GND			1.5	μA
Open Drain Output Voltage	V_{OL}	ALERT pin, sink 5mA	0		0.2	V
Open Drain Leakage	I_{ODL}	ALERT pin	-1.0		1.0	μA
Conversion time	t_{CON}	From active to finish completely		30		ms
Digital Interface						
Logic Input Capacitance	C_{IL}	SDA, SCL pin		3.0		pF
Logic Input High Voltage	V_{IH}	SDA, SCL pin	$0.8 \cdot V_{CC}$		V_{CC}	V
Logic Input Low Voltage	V_{IL}	SDA, SCL pin	0		$0.2 \cdot V_{CC}$	V
Logic Input Current	I_{INL}	SDA, SCL pin	-1.0		1.0	μA
Logic Output Sink Current	I_{OLS}	SDA, ALERT pin, forced 0.2V		5.0		mA
SCL frequency	f_{CLK}	High Speed Mode	20		3400	kHz
Timeout of detecting clock low period time	t_{TOUT}	SMBus Communication		30		ms
Clock low period time	t_{LOW}	High Speed Mode	200			ns
Clock high period time	t_{HIGH}	High Speed Mode	50			ns
Bus free time	t_{BUF}	Between Stop and Start condition	150			ns
Hold time after Start condition	$t_{HD:STA}$		150			ns
Repeated Start condition setup time	$t_{SU:STA}$		150			ns
Stop condition setup time	$t_{SU:STO}$		150			ns
Data Hold time	$t_{HD:DAT}$		20		100	ns
Data Setup time	$t_{SU:DAT}$		20			ns
Clock/Data fall time	t_F				40	ns
Clock/Data rise time	t_{SR}				40	ns

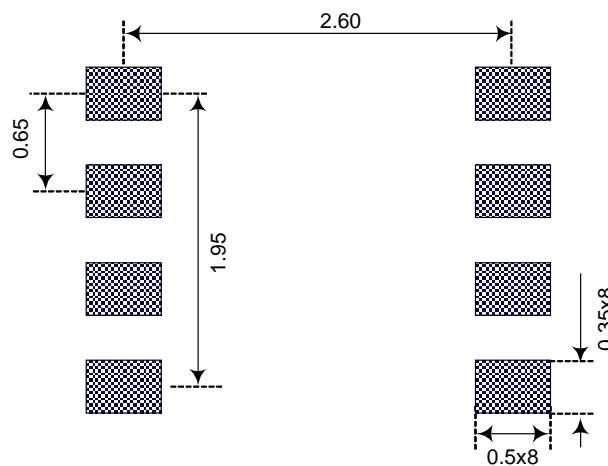
Note 4:

- All devices are 100% production tested at $T_A = +25^\circ C$; All specifications over the automotive temperature range is guaranteed by design, not production tested.
- No parasitic diode between EN pin and VIN pin.

Package Outline Dimensions
SOP-8 Unit (mm)

Recommended PAD Layout Pattern
SOP-8 Unit (mm)


Package Outline Dimensions
DFN-3x3-8 Unit (mm)


Symbol	Min.	Max.
A	2.90	3.10
B	2.90	3.10
C	0.70	0.80
D	0.00	0.05
G	0.30	0.40
J	0.35	0.45
E	0.203	
F	0.65	
H	2.51	2.61
K	1.55	1.65

Recommended PAD Layout Pattern
DFN-3x3-8 Unit (mm)




SENSYLINK Microelectronics Co., Ltd

www.sensylink.com

IMPORTANT NOTICE

SENSYLINK Microelectronics Co., Ltd reserves the right to make modifications, enhancements, improvements, corrections or other changes without further notice to this document and any product described herein or to discontinue any product or service. Customers should obtain the latest relevant information before placing orders and should verify the latest and complete information. SENSYLINK Microelectronics does not assume any responsibility for use of any product, nor does SENSYLINK Microelectronics any liability arising out of the application or use of this document or any product or circuit described herein. SENSYLINK Microelectronics assumes no liability for applications assistance or the design of Customers' products. Customers are responsible for their products and applications using SENSYLINK Microelectronics components. SENSYLINK Microelectronics does not convey any license under its patent or trademark rights nor the other rights.

SENSYLINK Microelectronics Co., Ltd © 2016.