



功率元器件

IPM(智能功率模块)

CONTENTS


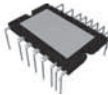
■ IGBT-IPM	P. B14
■ MOS-IPM	P. B14

B

IPM(智能功率模块)

IPM(智能功率模块)

● 快速参考

V _{DSS} /V _{CES} (V)	I _D /I _C (A)	Thermal Protective Function ^{*2}	IGBT-IPM		MOS-IPM
			PWM Input Frequency up to 6kHz	PWM Input Frequency up to 20kHz	
					
600	10	TSD	BM63363S-VA BM63363S-VC	BM63763S-VA BM63763S-VC	
		VOT	New BM63563S-VA New BM63563S-VC	New BM63963S-VA New BM63963S-VC	
	15	TSD	BM63364S-VA BM63364S-VC	BM63764S-VA BM63764S-VC	BM65364S-VA BM65364S-VC
		VOT	New BM63564S-VA New BM63564S-VC	New BM63964S-VA New BM63964S-VC	
	30	TSD		BM63767S-VA BM63767S-VC	
		VOT		New BM63967S-VA New BM63967S-VC	

IPM(智能功率模块)

IGBT-IPM									
Part No.	Power Device	V _{CES} (V)	I _C (A)	V _{CE(sat)} (V)	PWM Input Frequency (kHz)	Isolation Voltage ^{*1} (Vrms)	Thermal Protective Function ^{*2}	Package	
BM63363S-VA	IGBT	600	10	1.5	up to 6	1,500	TSD	HSDIP25	
BM63363S-VC	IGBT	600	10	1.5	up to 6	1,500	TSD	HSDIP25VC	
New BM63563S-VA	IGBT	600	10	1.5	up to 6	1,500	VOT	HSDIP25	
New BM63563S-VC	IGBT	600	10	1.5	up to 6	1,500	VOT	HSDIP25VC	
BM63763S-VA	IGBT	600	10	1.7	up to 20	1,500	TSD	HSDIP25	
BM63763S-VC	IGBT	600	10	1.7	up to 20	1,500	TSD	HSDIP25VC	
New BM63963S-VA	IGBT	600	10	1.7	up to 20	1,500	VOT	HSDIP25	
New BM63963S-VC	IGBT	600	10	1.7	up to 20	1,500	VOT	HSDIP25VC	
BM63364S-VA	IGBT	600	15	1.5	up to 6	1,500	TSD	HSDIP25	
BM63364S-VC	IGBT	600	15	1.5	up to 6	1,500	TSD	HSDIP25VC	
New BM63564S-VA	IGBT	600	15	1.5	up to 6	1,500	VOT	HSDIP25	
New BM63564S-VC	IGBT	600	15	1.5	up to 6	1,500	VOT	HSDIP25VC	
BM63764S-VA	IGBT	600	15	1.7	up to 20	1,500	TSD	HSDIP25	
BM63764S-VC	IGBT	600	15	1.7	up to 20	1,500	TSD	HSDIP25VC	
New BM63964S-VA	IGBT	600	15	1.7	up to 20	1,500	VOT	HSDIP25	
New BM63964S-VC	IGBT	600	15	1.7	up to 20	1,500	VOT	HSDIP25VC	
BM63767S-VA	IGBT	600	30	1.7	up to 20	1,500	TSD	HSDIP25	
BM63767S-VC	IGBT	600	30	1.7	up to 20	1,500	TSD	HSDIP25VC	
New BM63967S-VA	IGBT	600	30	1.7	up to 20	1,500	VOT	HSDIP25	
New BM63967S-VC	IGBT	600	30	1.7	up to 20	1,500	VOT	HSDIP25VC	
MOS-IPM									
Part No.	Power Device	V _{DSS} (V)	I _D (A)	R _{on} (mΩ)	Recommended Switching Frequency (kHz)	Isolation Voltage ^{*1} (Vrms)	Thermal Protective Function ^{*2}	Package	
BM65364S-VA	MOSFET	600	15	120	up to 20	1,500	TSD	HSDIP25	
BM65364S-VC	MOSFET	600	15	120	up to 20	1,500	TSD	HSDIP25VC	

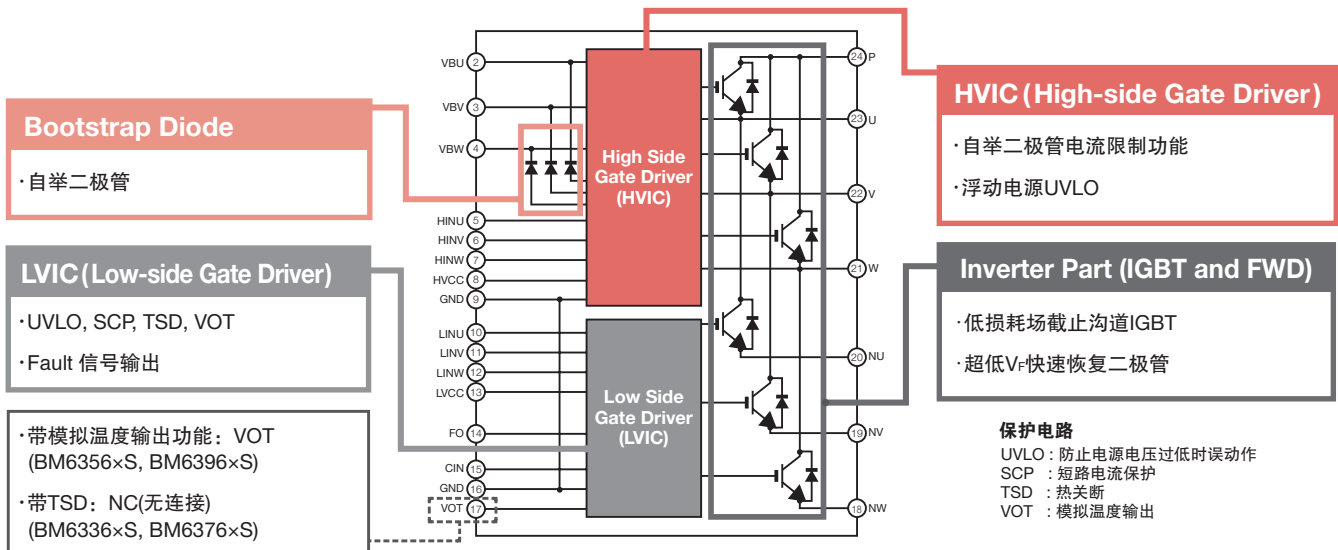
*1 AC60Hz、1min.、使用凸型散热片时支持2,500Vrms

*2 TSD : Thermal Shut Down、VOT : 模拟温度输出

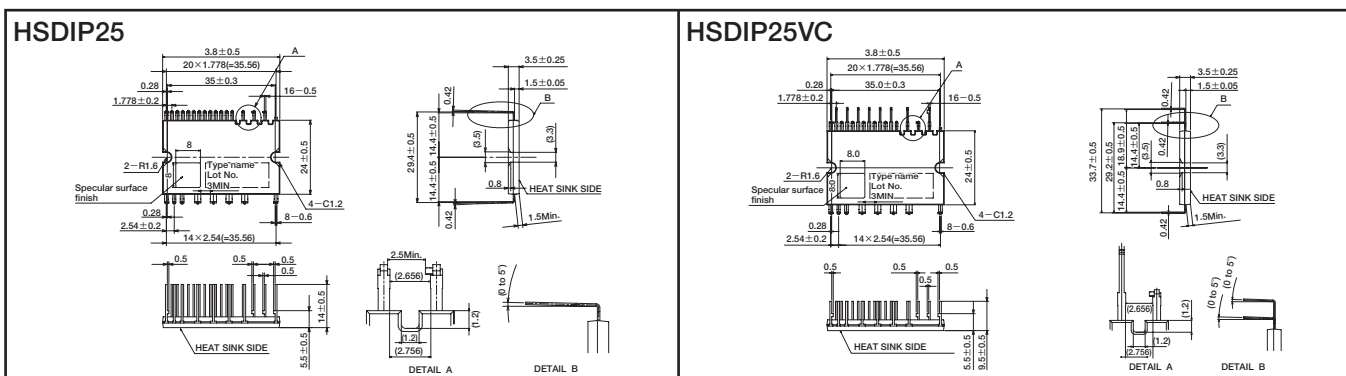
 B
I
P
M
(
智
能
功
率
模
块
)

● 方框图

IGBT-IPM



● 尺寸 (单位: mm)



● 品名构成说明



型号

封装

包装、成形规格

S	HSDIP25 HSDIP25VC
---	----------------------

VA	Tube, Long pin type(HSDIP25)
VC	Tube, Staggered type(control side)(HSDIP25VC)

B

IPM(智能功率模块)

